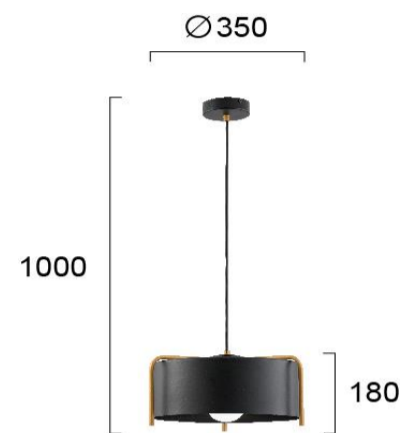




### Product Datasheet

<b>Code</b>	4284100
<b>Description</b>	Pendant Light Seventy's
<b>Family</b>	SEVENTY'S
<b>Type</b>	PENDANT
<b>Type of Lamp</b>	E27
<b>Watt</b>	MAX 40W
<b>Volt</b>	220-240V
<b>Hertz</b>	50-60 Hz
<b>Class</b>	Class I
<b>IP</b>	IP20
<b>Environment</b>	Indoor
<b>Color</b>	BLACK/GOLD
<b>Material</b>	ELECTROSTATIC PAINTED STEEL
<b>Length</b>	D:350
<b>Height</b>	H:1000
<b>Width</b>	



VIOKEF LIGHTING

Filiati Str, P.O Box28 Gr 19441 Koropi Greece

T: +302106626495 E: inquiry@viokef.com W: www.viokef.com



Find us on  
Facebook



FOLLOW US ON  
Instagram