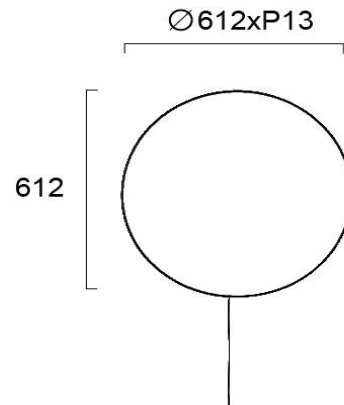




Product Datasheet

Code	4250500
Description	Wall Light Shadow
Family Name	SHADOW
Type	WALL LIGHTS
Lampholder	LED module
Watt	19W
Voltage	220-240 VAC
Hertz	50-60 Hz
Class	Class II
Enviroment	Indoor
IP	IP20



VIOKEF LIGHTING

Filiati Str, P.O Box28 Gr 19441 Koropi Greece
 T: +302106626495 E: inquiry@viokef.com W: www.viokef.com

