

86593

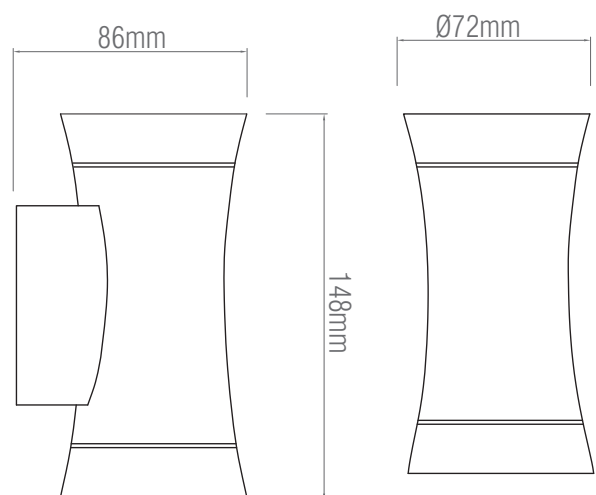
## Camber 2LT Wall

### FEATURES

- 2 years warranty
- Textured black & clear glass finish
- Constructed from die cast aluminium alloy & glass
- IP40

### SPEC DATA

Product Wattage:	2 x Max. 20W LED GU10 (required)
Dimmable:	Y
Product Voltage:	220-240V
Hertz:	50/60
IP Rating:	44
Product Weight (KG):	0.35
Terminal Block:	3-way
Class:	1



Accessory 86594

### ACCESSORIES

86594, Kingsley corner connect accessory

National Lighting (Genesis 1:3 LTD)

Saxby Lighting, a trading division of Genesis 1:3 LTD, Park Royal, London NW10 7UL

TEL: (+44) 20 833 0533 or (+44) 20 240 8811 or (+44) 20 240 8811 Fax: (+44) 20 240 8811 Email: sales@nationallighting.com

www.nationallighting.com