

86733

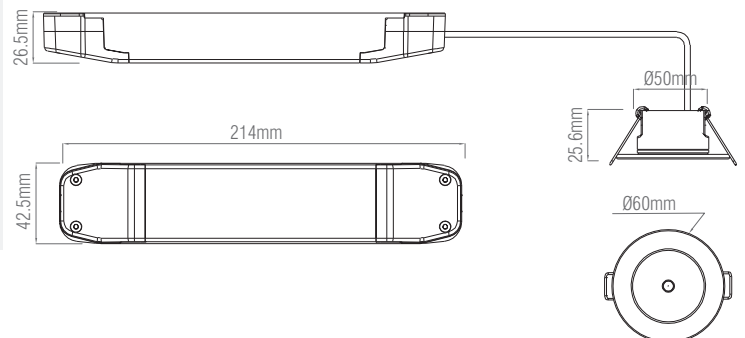
Sight Downlight

FEATURES

- 3 years (2 years + 1 year) extended warranty
- Constructed from aluminium alloy & polycarbonate
- Emergency non-maintained fitting
- Interchangeable bezels: white, black, silver

SPEC DATA

Product Wattage:	2W LED Hi Power
Product Lumen:	120
Lumen/W:	60
Kelvin:	6500K
Energy Rating:	A+
Dimmable:	No
Beam Angle:	120°
CRI:	80
Lifetime (Hours):	30000
LED Brand:	Epistar
SDCM:	<6
Driver Type:	Constant Current 320mA
Product Voltage:	220-240V
Hertz:	50/60
Surge Protection (KV):	1.5
Operating Temp:	-20 to 45 Degree
IP Rating:	20
IK Rating:	08
Battery Spec.:	LiFePO4 3.2V 1500mAh
Duration:	3 hours (180 minutes)
Product Weight (KG):	0.2
Class:	2
Cut Hole Dia:	50mm
Minimum Cavity Depth:	190mm



National Lighting (Genesis 1:3 LTD)

Unit 8, Grand Union Trading Estate Abbey Road, Park Royal London NW10 7UL

TEL: 0845-634-1515 E: customerservice@nationallighting.co.uk

www.nationallighting.co.uk

National Lighting