

67702 – Roko PIR Outdoor wall fitting.

INSTRUCTION MANUAL

Safety Warnings

This product is only suitable for connection to a 240V~50Hz supply. It is recommended that this light is installed by a qualified electrician in accordance with current IEE Wiring Regulations and Building Regulations (Part P). The light fitting should be connected to a lighting circuit protected by a 5 amp fuse (or a 6 amp miniature circuit breaker). This light has an IP44 (splash proof) rating suitable for use outdoors.

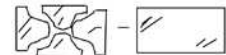
Run supply wire from a 5-amp electrical supply using double insulated 3-core cable of type H05RN-F 1.0mm² (not supplied) to selected site, ensuring it is adequately protected through the full length of the cable run, it must come out of the flat surface of the mounting surface in line with the entry to the fitting.

Except where installed in a conduit or duct, which provides equivalent protection against mechanical damage, a cable buried in the ground shall incorporate an earthed armour or metal sheath or both, suitable for use as a protective conductor, or be of insulated concentric construction. Buried cables shall be marked by cable covers or a suitable marking tape. Buried conduits and ducts shall be suitably identified. Buried cables, conduits and ducts shall be at a sufficient depth to avoid being damaged by any reasonably foreseeable disturbance of the ground.

This product contains breakable parts – be careful during handling and maintenance to avoid breakage.

The shade can become hot in use. Switch off and allow 10 minutes to cool before cleaning.

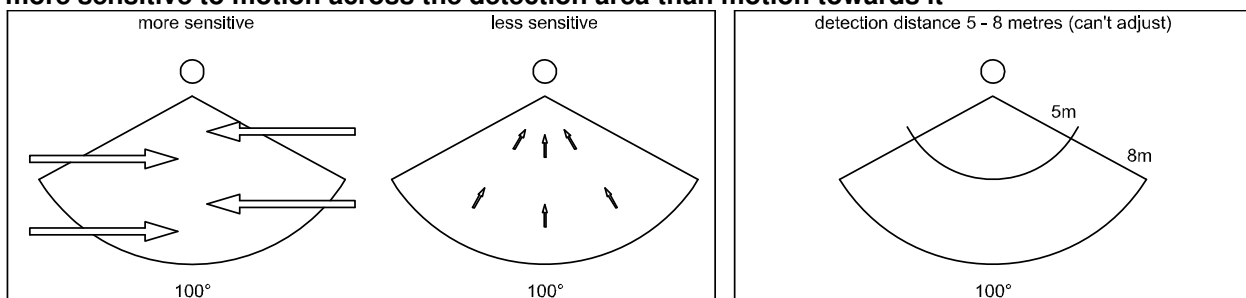
If any part of the bulb housing is broken or cracked then it must be replaced immediately to preserve the water ingress protection, please consult your retailer. This is represented by the symbol



IMPORTANT: To achieve maximum corrosion resistance the surface of the Stainless Steel must be kept clean. Surface contamination and the formation of deposits are critical factors which may lead to drastically reduced life. An example is salt deposits from marine conditions. Cleaning with soap or a mild detergent and warm water followed by a careful clean water rinse and finally wiping dry is usually adequate for most S/S items used in the domestic environment. Care must be taken to turn off the mains supply until the cleaning process has been completed and the fitting is completely dry.

If any modification is made it will invalidate the warranty and may render the product unsafe.

The detection range (angle / distance) of the PIR sensor is shown here. The optimum mounting height is 1.8m-2.5m above the ground. Use this information before you choose a mounting position. Do not mount where the PIR can be activated by heat sources such as central heating vents, animals, traffic etc. The PIR sensor is more sensitive to motion across the detection area than motion towards it



Before you start

Please read these instructions carefully before fitting your new light and retain for reference. Switch off the mains supply and remove the appropriate fuse or switch off the appropriate circuit breaker before commencing installation.

Ensure that no one else has access that would enable the supply to be inadvertently reconnected.

Check the packaging and make sure that you have all the required parts.

Follow each assembly step in order to prevent incorrect assembly

Make sure all screws / nuts, including electrical connections etc are fully tightened before use.

The Light pack contains:

Wall light and backplate
Terminal connection block.

The following tools may be required:

Selection of cross and flat head screwdrivers.
Electric drill and assorted drill bits.
Wire strippers.
Electrical insulation tape.

Assembly / user instructions

These assembly diagrams are intended as a guide – if in doubt consult a qualified electrician.

Diagram A

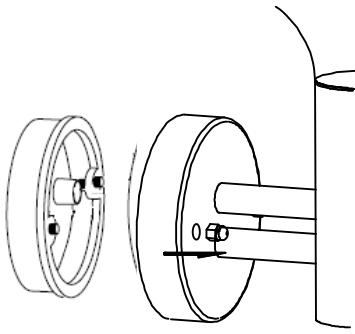


Diagram B



Diagram C

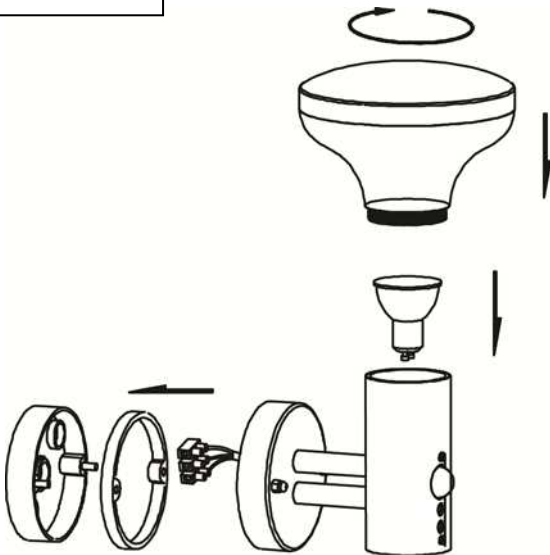
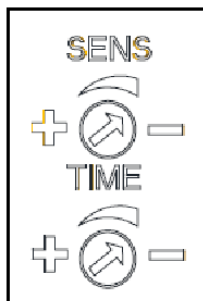


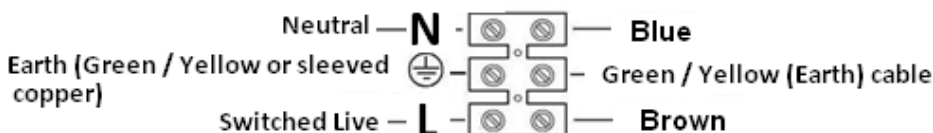
Diagram D



WIRING DETAILS

INCOMING CABLES

INTERNAL CABLES



- Determine the position of your light fitting taking into account the exit position of the cable. Ensure that the mounting surface is solid, preferably a brick or block wall and ensure that there are no other cables or pipes beneath the surface.
- Diagram A.** Separate the plastic back plate from the fitting by removing the two domed nuts / washers on the front of the fitting. Leave the threaded bolts in the back plate.
- Diagram B.** Use the back plate as a template to drill and mark the screw holes. Make sure the back plate is correctly aligned. Use a sharp object such as a screwdriver to pierce the rubber grommet in the back plate. Feed the incoming cable through the rubber grommet and attach the back plate to the wall. Use appropriate fixings. Wall plugs and screws as supplied are shown here. Do not over tighten as this could damage the back plate.
- Diagram C.** Connect the house wiring to the internal terminal block. **NOTE: This is a Class I fitting and must be earthed. See wiring details.** The cable entry grommet must be in place to ensure ingress protection. Secure the lantern to the wall bracket with the 2 x domed nuts removed in 2 above. Make sure the rubber seal is in place for ingress protection.
- Unscrew the lid and fit the bulb. **Max. 3.5W GU10.** When changing a bulb, always switch off at the mains and allow the bulb to cool before handling. Dispose of used bulbs carefully. Do not exceed the wattage stated or use a different shape bulb from that indicated on the fitting.
- Re-fit the lid. Ensure the rubber seal is in place for ingress protection. Do not overtighten.
- Diagram D: PIR Adjustment:** The detection angle is set at 100 degrees. The duration that the lamp stays on can also be altered from 5 seconds - 8 minutes. Use a small screwdriver to adjust the 'TIME' and 'SENS' screws (located on front of light fitting). When adjusting the sensitivity (detection distance) in daylight it will be necessary to cover the sensor to simulate night time.

8. Turn on the power and test.

**Endon Lighting
Leeds
UK
LS9 0SE**

