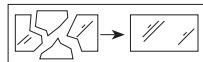


ENDON®

Canillo Outdoor Bollard Fitting INSTRUCTION MANUAL

Safety Warnings

- It is recommended that this light be installed by a qualified electrician in accordance with current IEE Wiring Regulations and Building Regulations (Part P).
- This product is only suitable for connection to a 240v~50Hz supply and is for outdoor use.
- Run supply wire from a 5-amp electrical supply using double insulated 2 or 3-core cable of type H05RN-F 1.0mm² (not supplied) to selected site, ensuring it is adequately protected through the full length of the cable run, it must come out of the flat surface of the wall in line with the entry to the fitting
- This fitting is a Class I product, and **must** be connected to Earth.
- Switch off the mains supply and remove the appropriate fuse or switch off the appropriate circuit breaker before commencing installation.
- Except where installed in a conduit or duct which provides equivalent protection against mechanical damage, a cable buried in the ground shall incorporate an earthed armour or metal sheath or both, suitable for use as a protective conductor, or be of insulated concentric construction. Buried cables shall be marked by cable covers or a suitable marking tape. Buried conduits and ducts shall be suitably identified. Buried cables, conduits and ducts shall be at a sufficient depth to avoid being damaged by any reasonably foreseeable disturbance of the ground.
- This product is protected against the ingress of moisture (IP44). If the glass or diffuser is broken or cracked it must be replaced, please consult your retailer. This is the symbol which denotes this requirement: 
- This product must only be installed to a solid, fixed surface, such as concrete, decking or paving slabs. It must **NOT** be installed on soil.
- Do not install a bulb with a greater wattage or different shape than specified on the label.
- If any modification is made it will invalidate the warranty and may render the product unsafe.
- Allow 10 minutes to cool before replacing, adjusting or cleaning.
- Clean with a dry cloth only. Do not use liquid or abrasive cleaners on this product.

Assembly/ User Instructions

Before you start

Please read these instructions carefully before fitting and retain for reference. Check the packaging and make sure that you have all the required parts. Follow each assembly step in order to prevent incorrect assembly. Ensure that the product is fully assembled as illustrated before use.

Ensure that there are no cables/ pipes beneath the surface (other than the supply cable for this fitting).

The mounting surface must be solid, fixed and able to accommodate the weight/ height of the fitting. If installing on an existing secure (concrete) base, use the holes in the post base as a template to drill suitable fixing holes and prepare with suitable ground fixing bolts (not supplied). The supply cable (at least 250mm) must come out of the mounting surface and directly into the terminal block in the base/post of the fitting.

The Light pack contains:

Light fitting.
Terminal connection block(s).
Fixing pack.

The following tools may be required:

Selection of cross and flat head screwdrivers.
Electric drill and assorted drill bits.
Wire strippers.
Electrical insulation tape.

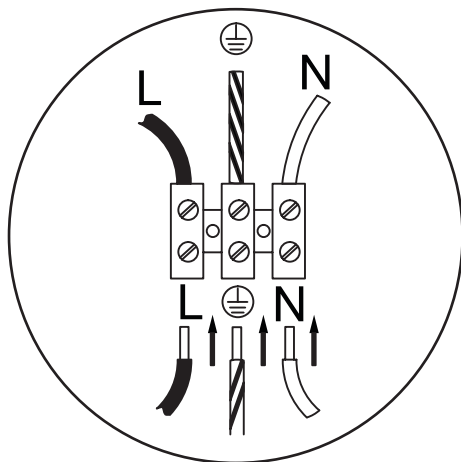
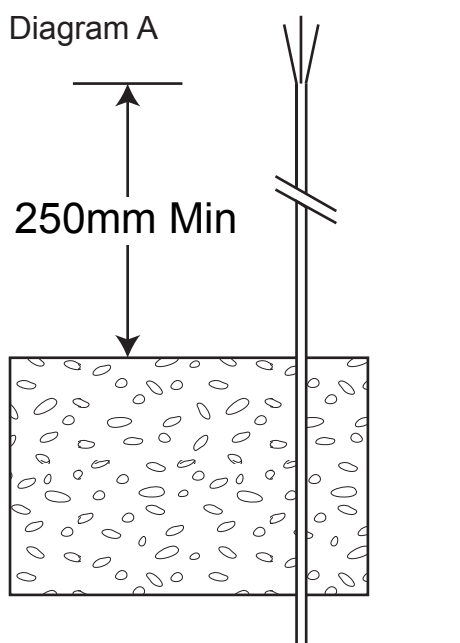
These assembly diagrams are intended as a guide – if in doubt consult a qualified electrician.

1. Diagram A. Determine the position of your light fitting. Ensure there is sufficient power cable to connect to the fitting – we recommend at least 250mm. Take a note of the position of the electrical connections. Ensure there is a solid mounting surface - do not install on soil.
2. Place the base of the light fitting over the cable and use it as a template to mark the mounting hole positions. Drill and plug the holes ready to mount the fitting later.



Assembly/ User Instructions Continued

3. **Diagram B.** Pull the terminal block assembly out of the base of the fitting. Remove the cable clamp and take the lid off the terminal block housing to expose the internal terminal block.
4. Connect the house wiring to the terminal block - see expanded wiring diagram. When you are sure of the connections wrap the Terminal Block and overlap the wiring both sides with 2 layers of insulation tape. **NOTE: This is a Class I fitting and must be earthed.** Any loose terminal blocks - not secured to ceiling cup - should always be covered with 2 layers of good quality insulation tape. Re-fit the back box ensuring no wires are damaged, trapped or left exposed. Check the seal, use sealant if required.
5. Secure the cable clamp over the incoming cable and then push the terminal block assembly fully inside the base.
6. Secure the post to the mounting surface making sure that all cables are contained inside the fitting.
7. Unscrew the lid and fit the bulb. **NOTE: Never fit bulbs of a higher wattage than those specified on the label (as these may cause overheating and damage the fitting).**
8. Ensure the rubber seal is in place for ingress protection. Do not overtighten.
9. Turn on the power and test.



Expanded Wiring Diagram

