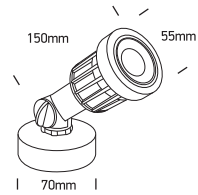


INSTALLATION MANUAL

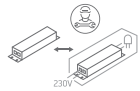
7070

ecolight



one
LIGHT

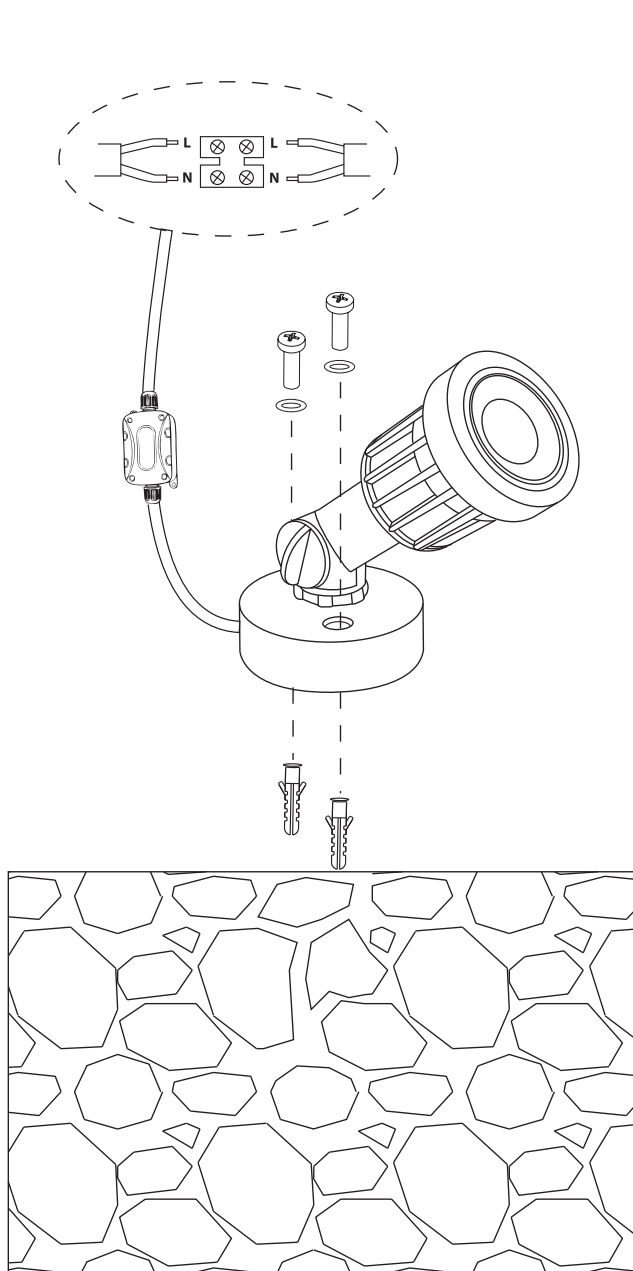
100-240V | 5W | IP65 | Plastic | Adjustable
Complete with driver. Supplied with spike + base.



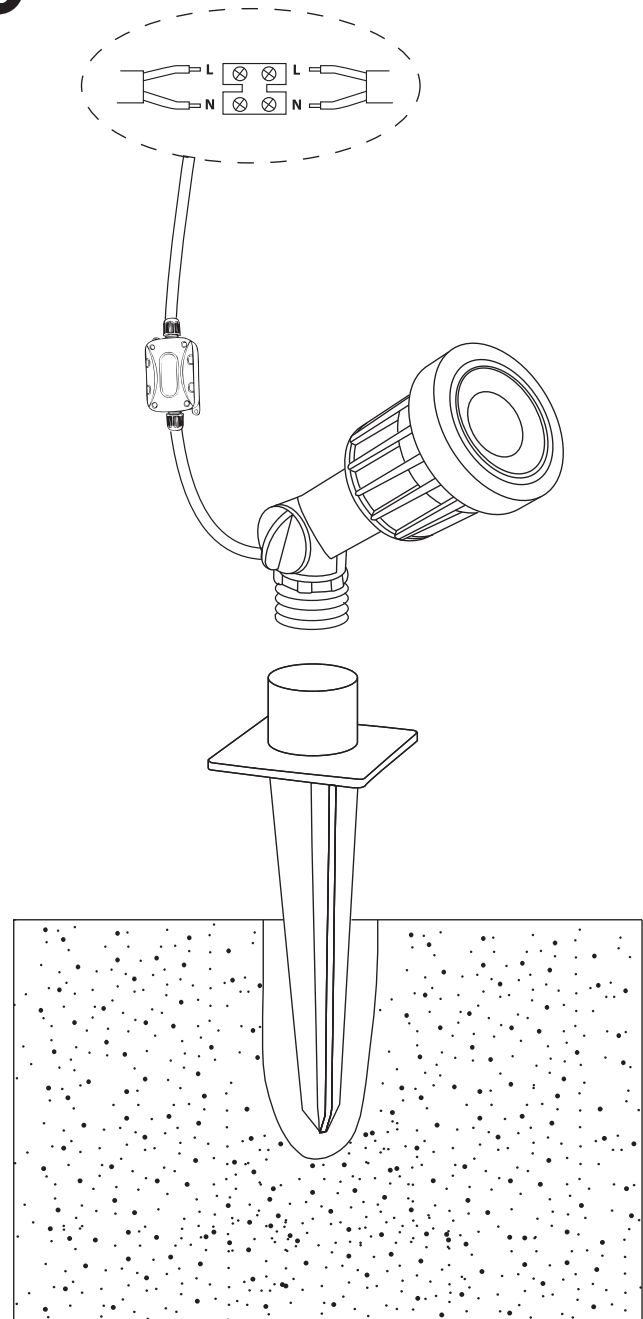
80
CRI

200cm
S

A



B



Warnings:

1. Make sure that the product is installed properly before connecting to electricity.
2. Do not cover the fitting.
3. Maintenance and installation should only be carried out by a professional electrician.