

INSTALLATION MANUAL

67378, 67378A

ecolight



80
CRI

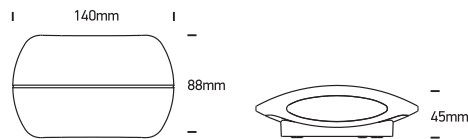
CE

RoHS
COMPLIANT

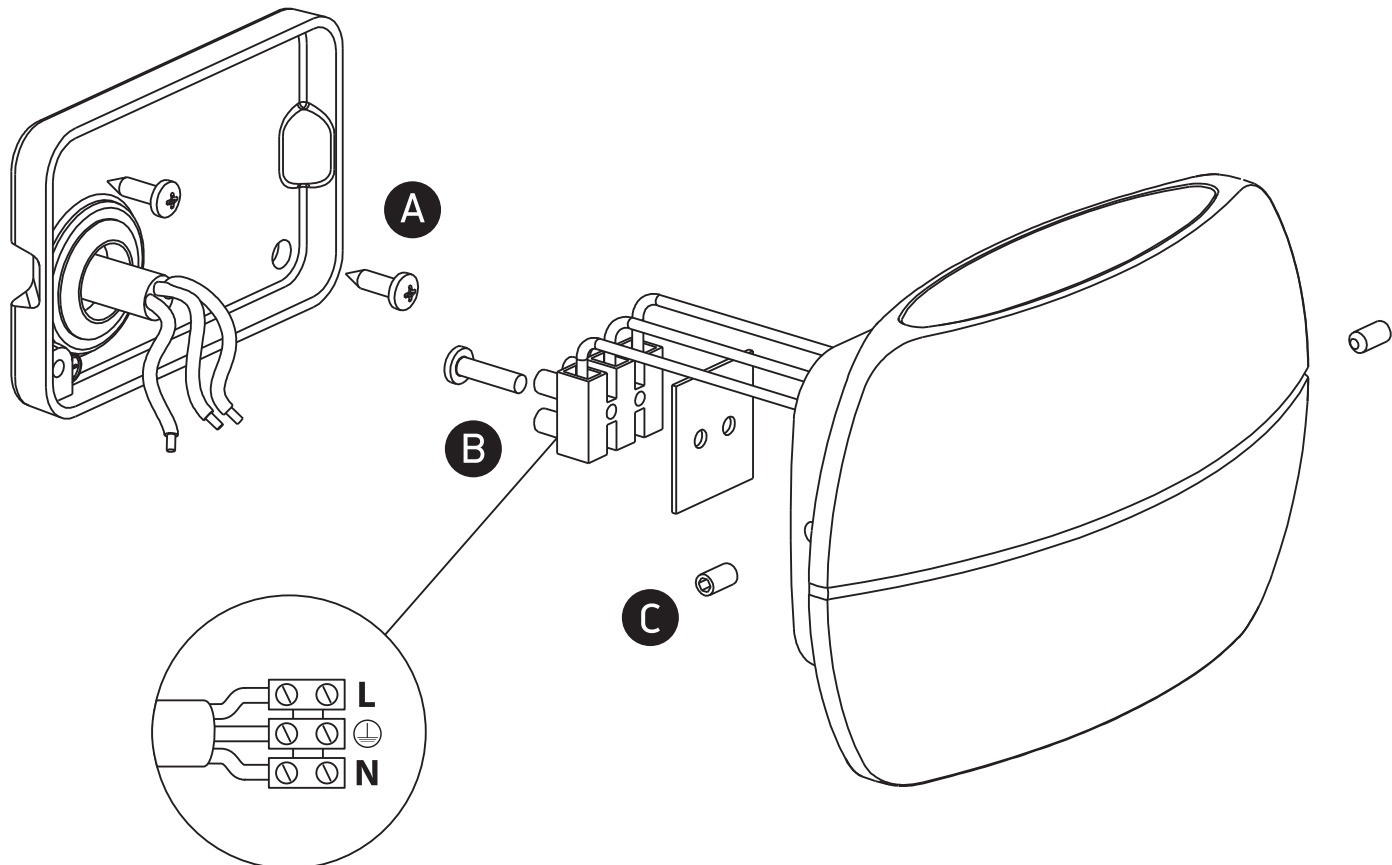
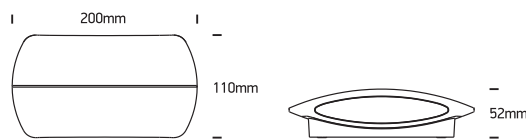


Complete with driver.

67378: 230V | SMD 5630 | 2x3W | IP54 | Die cast



67378A: 230V | SMD 2835 | 2x6W | IP54 | Die cast



Warnings:

1. Make sure that the product is installed properly before connecting to electricity.
2. Do not cover the fitting.
3. Maintenance and installation should only be carried out by a professional electrician.