

INSTALLATION MANUAL

7028AG

ecofloodlight

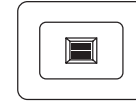


80
CRI

50cm

130mm

30mm



100mm



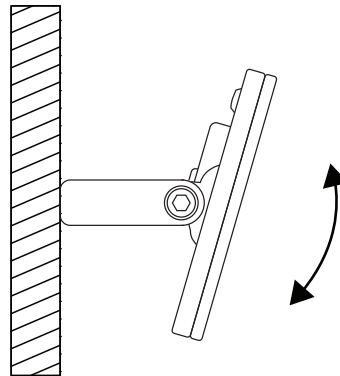
230V | SMD LED | 10W | IP65 | Die cast + tempered glass | Adjustable



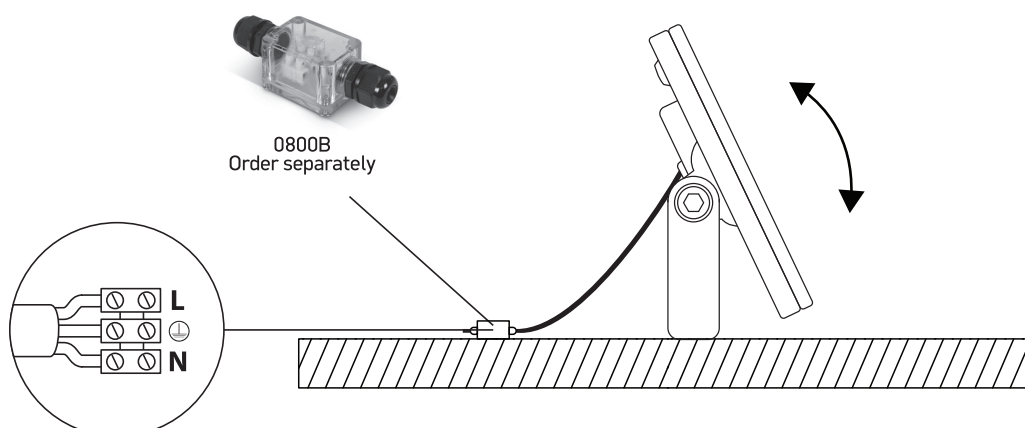
one
LIGHT

Plan carefully the position of the floodlight and fix the bracket with the appropriate accessories (not provided with the product).
Adjust the floodlight to the desired light angle.

A VERTICAL INSTALLATION METHOD



B HORIZONTAL INSTALLATION METHOD



Warnings:

1. Make sure that the product is installed properly before connecting to electricity.
2. Do not cover the fitting.
3. Maintenance and installation should only be carried out by a professional electrician.