

# INSTALLATION MANUAL

## 7028AG

**ecofloodlight**

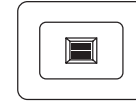


80  
CRI

50cm

130mm

30mm



100mm



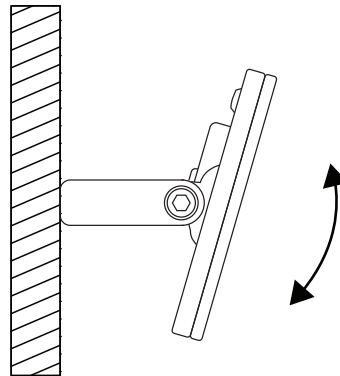
230V | SMD LED | 10W | IP65 | Die cast + tempered glass | Adjustable



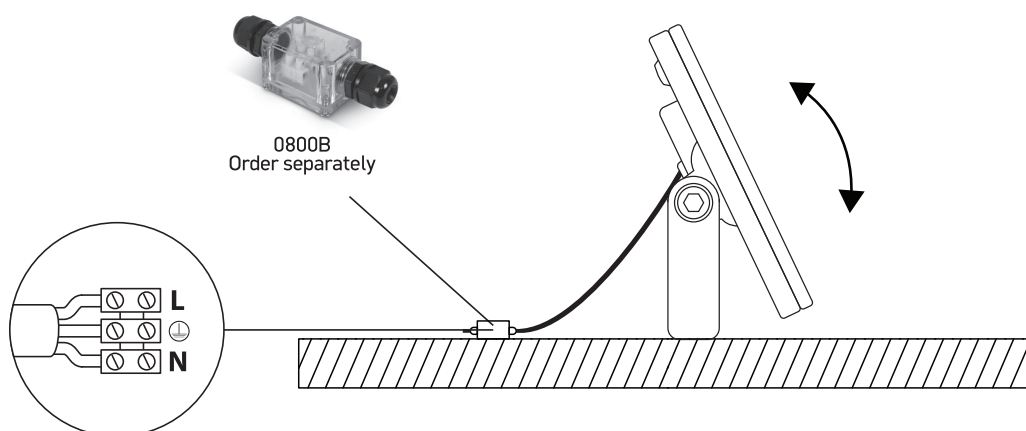
**one**  
LIGHT

Plan carefully the position of the floodlight and fix the bracket with the appropriate accessories (not provided with the product).  
Adjust the floodlight to the desired light angle.

### A VERTICAL INSTALLATION METHOD



### B HORIZONTAL INSTALLATION METHOD



#### Warnings:

1. Make sure that the product is installed properly before connecting to electricity.
2. Do not cover the fitting.
3. Maintenance and installation should only be carried out by a professional electrician.