

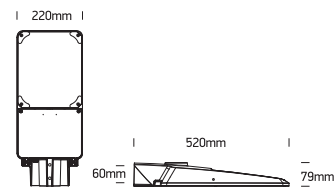
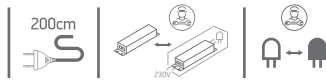
INSTALLATION MANUAL

70116C



100-240V | 126xSMD 3030 | 120W | IP66 | Aluminium + glass

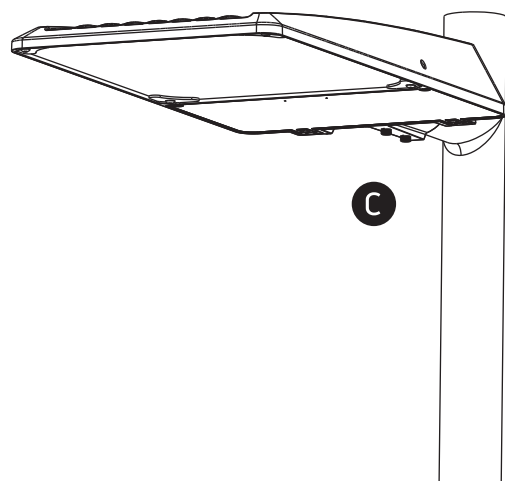
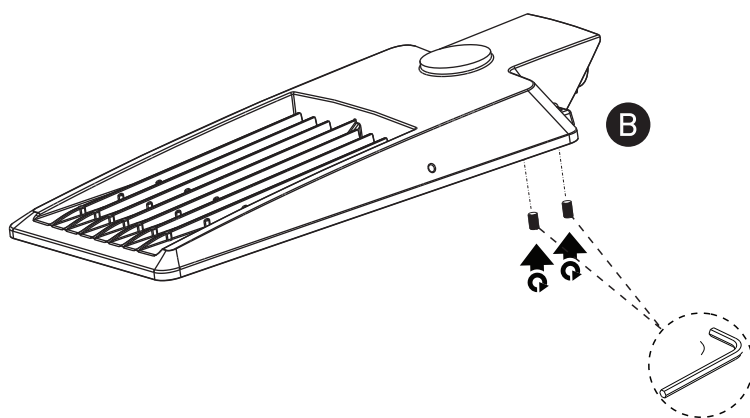
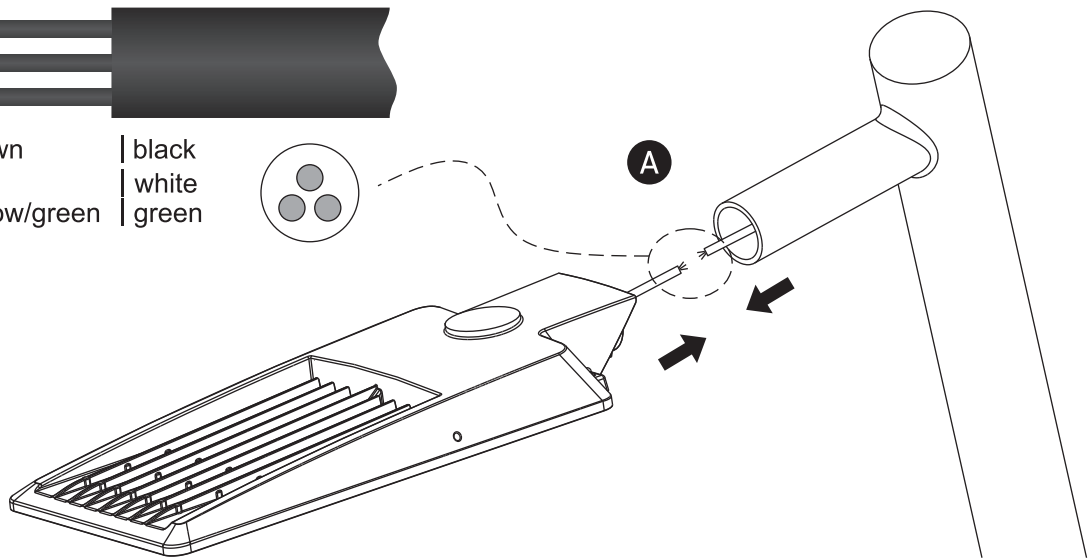
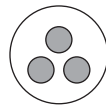
Complete with 1020mA driver.



one
LIGHT



L	brown	black
N	blue	white
⊕	yellow/green	green



Warnings:

1. Make sure that the product is installed properly before connecting to electricity.
2. Do not cover the fitting.
3. Maintenance and installation should only be carried out by a professional electrician.