
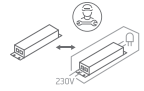



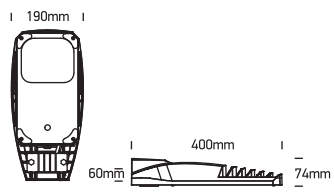
# INSTALLATION MANUAL

70114

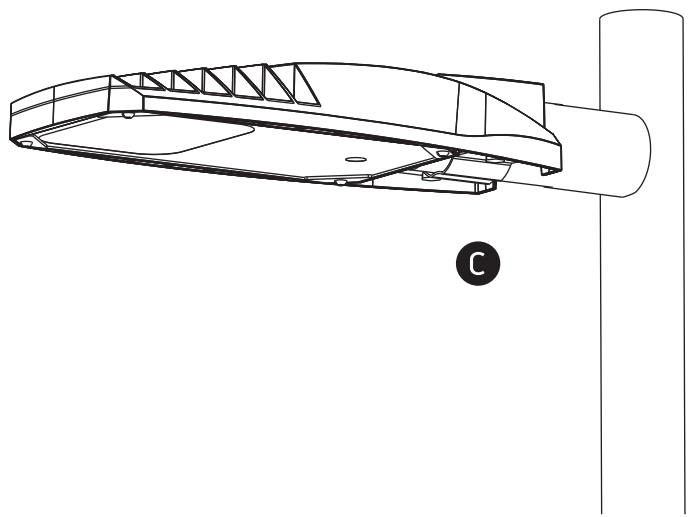
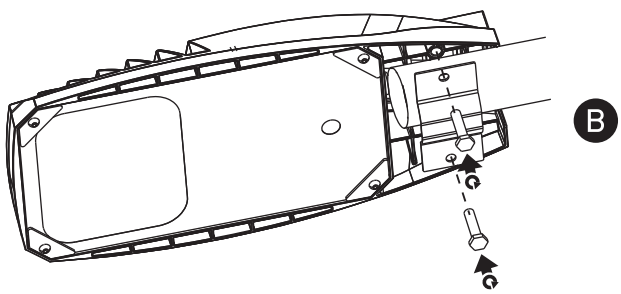
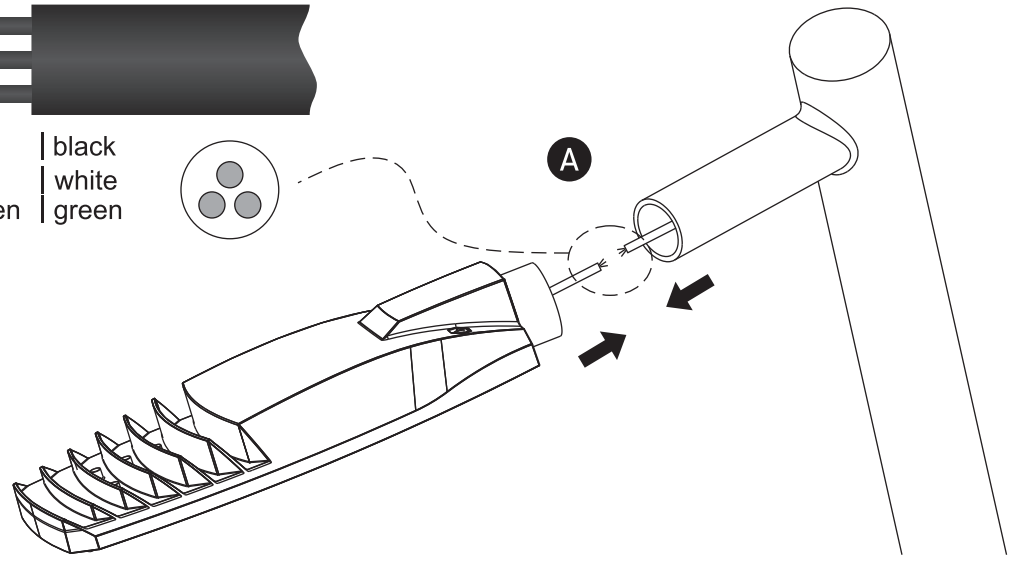
**LED BUILT IN** |  |  | **80 CRI** | **CE ENEC UK CA** |  |  |  | 

100-240V | 64xSMD 2835 | 50W | IP66 | Plastic  
 Complete with 950mA driver.

 |  | 



L	brown	black
N	blue	white
⊕	yellow/green	green



Side up when installing



**Warnings:**

1. Make sure that the product is installed properly before connecting to electricity.
2. Do not cover the fitting.
3. Maintenance and installation should only be carried out by a professional electrician.