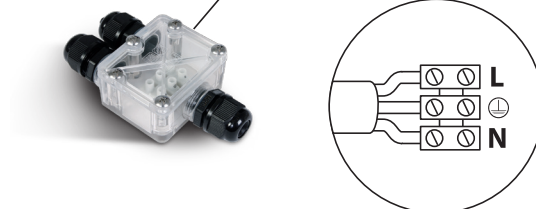
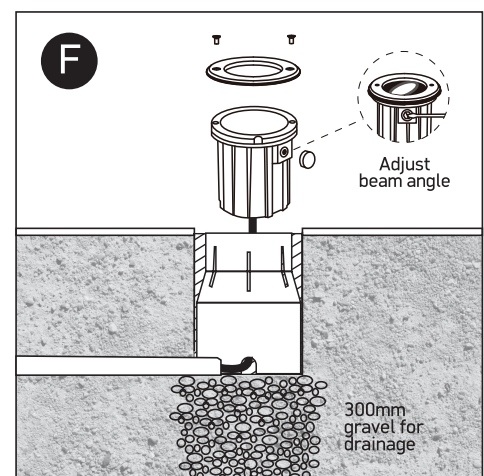
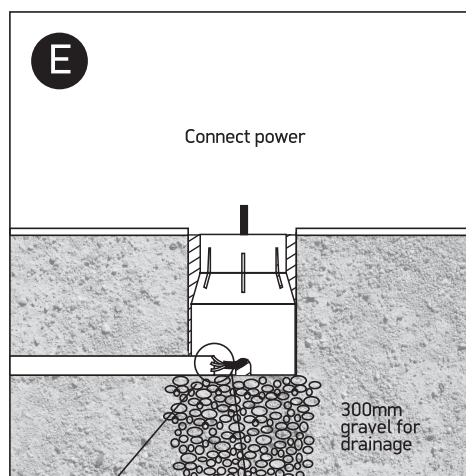
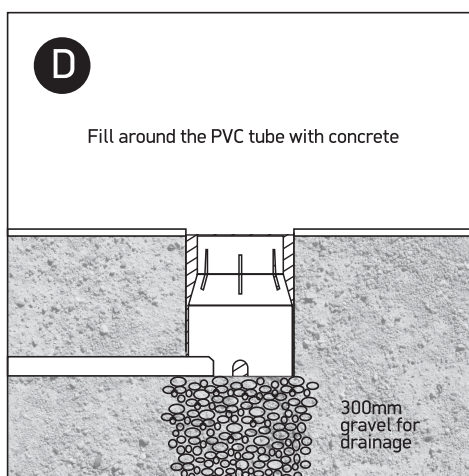
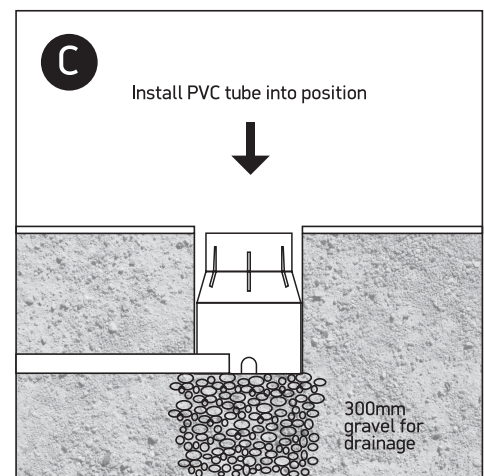
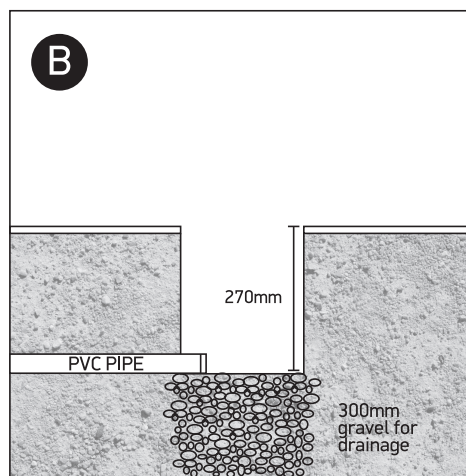
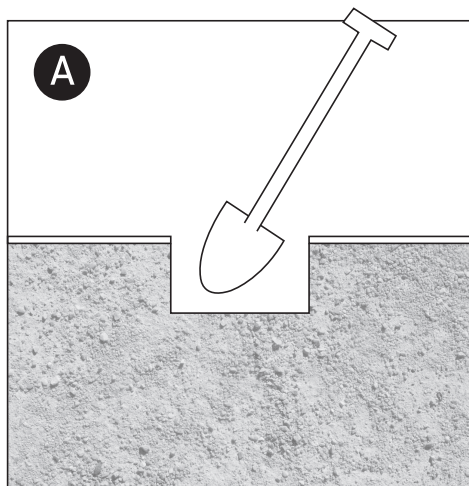
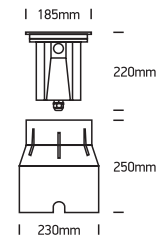


INSTALLATION MANUAL

69054

ecoinground


230V | 15W | IP67 | Stainless steel 316 + tempered glass | Adjustable |
AC LED / 1 gland + Connection box.



Warnings:

1. Make sure that the product is installed properly before connecting to electricity.
2. Do not cover the fitting.
3. Maintenance and installation should only be carried out by a professional electrician.