

INSTALLATION MANUAL

69042

ecoinground

LED
BUILT IN



85
CRI

CE

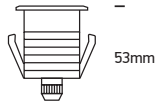
EAC

UK
CA

RoHS



37mm



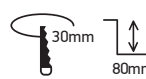
53mm



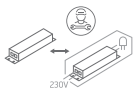
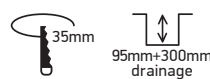
1W | 350mA | IP67 | Natural aluminium

Requires 350mA driver.

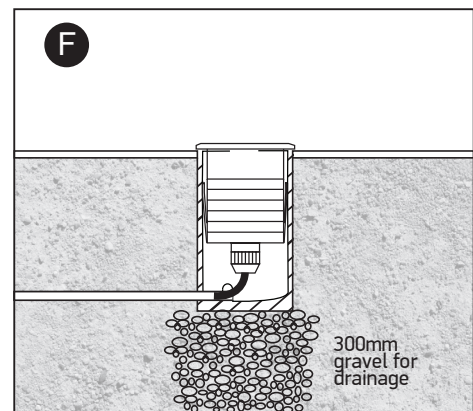
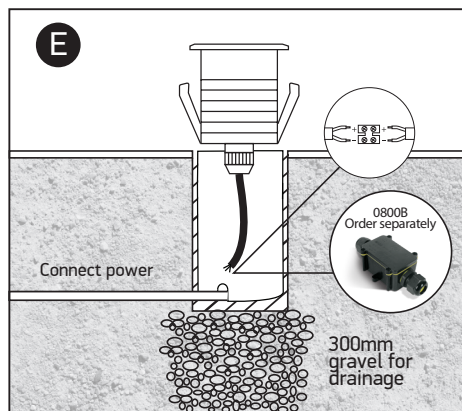
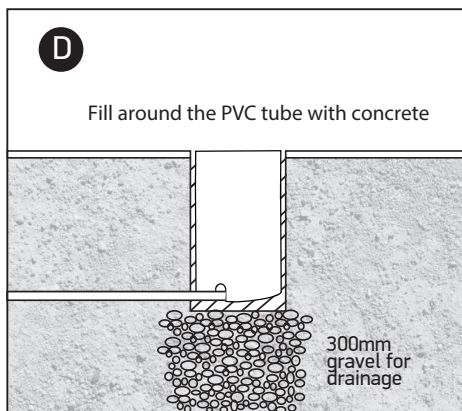
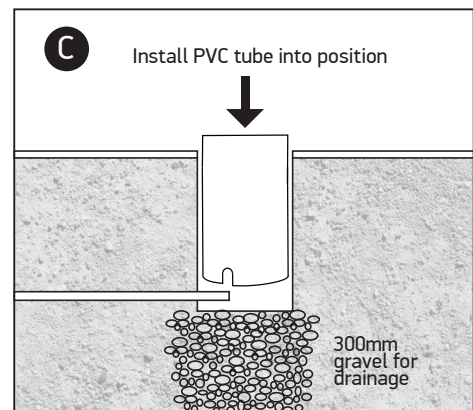
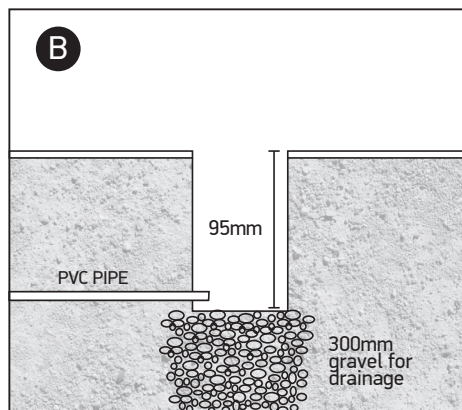
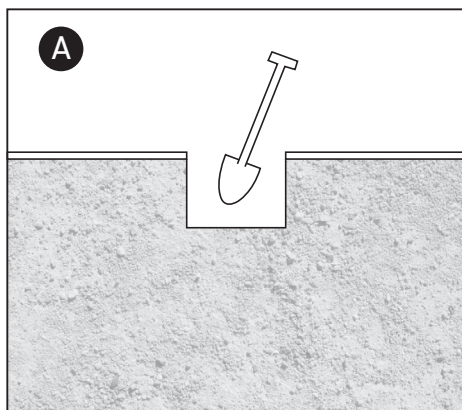
Decking Installation



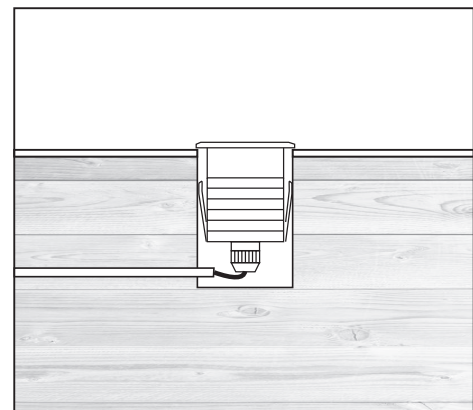
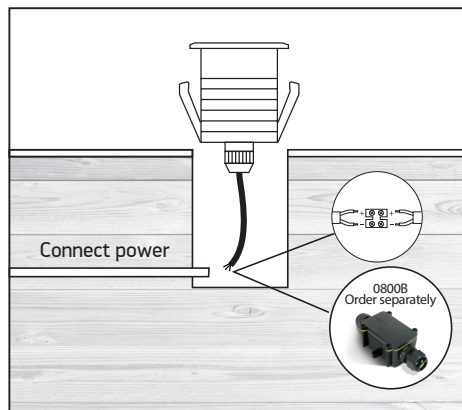
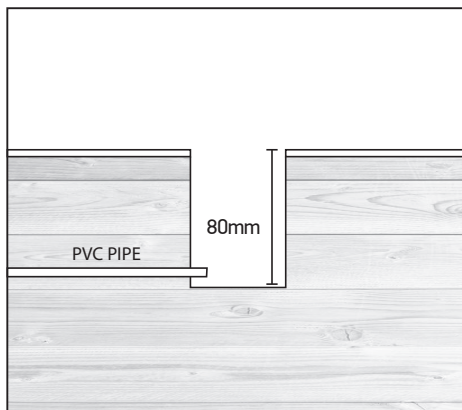
Concrete Installation



CONCRETE INSTALLATION



DECKING INSTALLATION



Warnings:

1. Make sure that the product is installed properly before connecting to electricity.
2. Do not cover the fitting.
3. Maintenance and installation should only be carried out by a professional electrician.