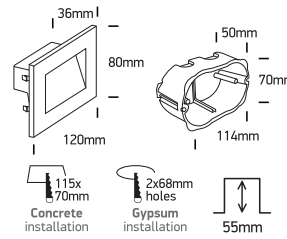


INSTALLATION MANUAL

68076

ecolight

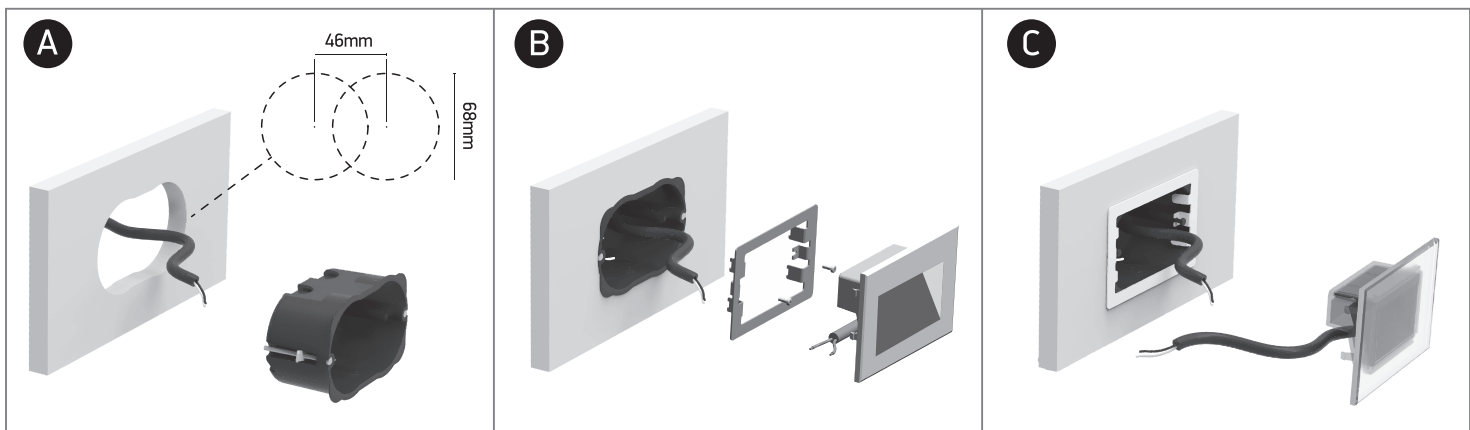


230V | SMD LED | 3W | IP65 | Glass + metal

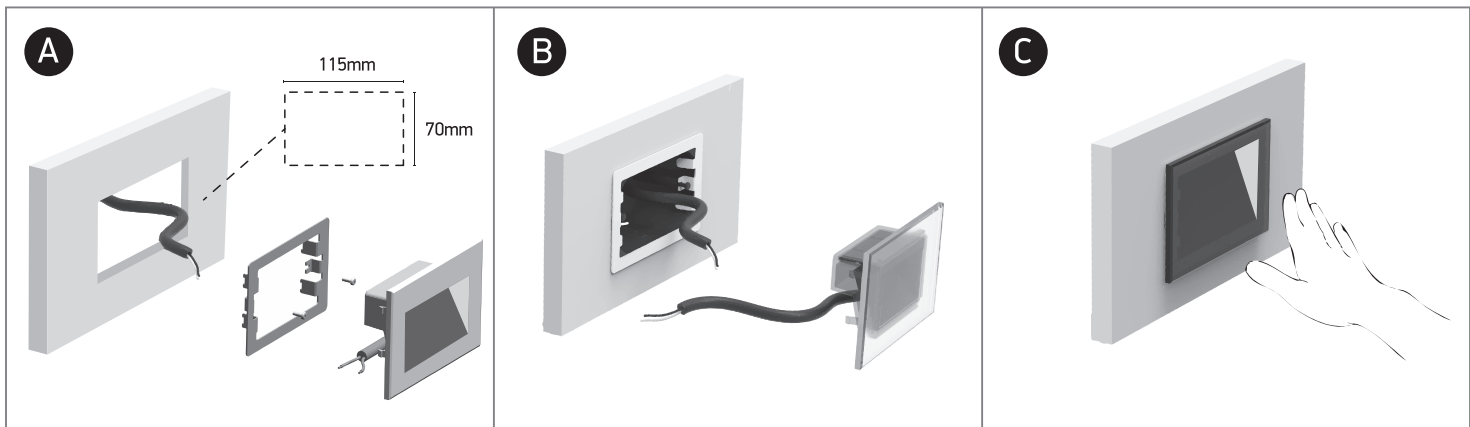
AC LED.
Supplied with box for
concrete installation.



CONCRETE INSTALLATION

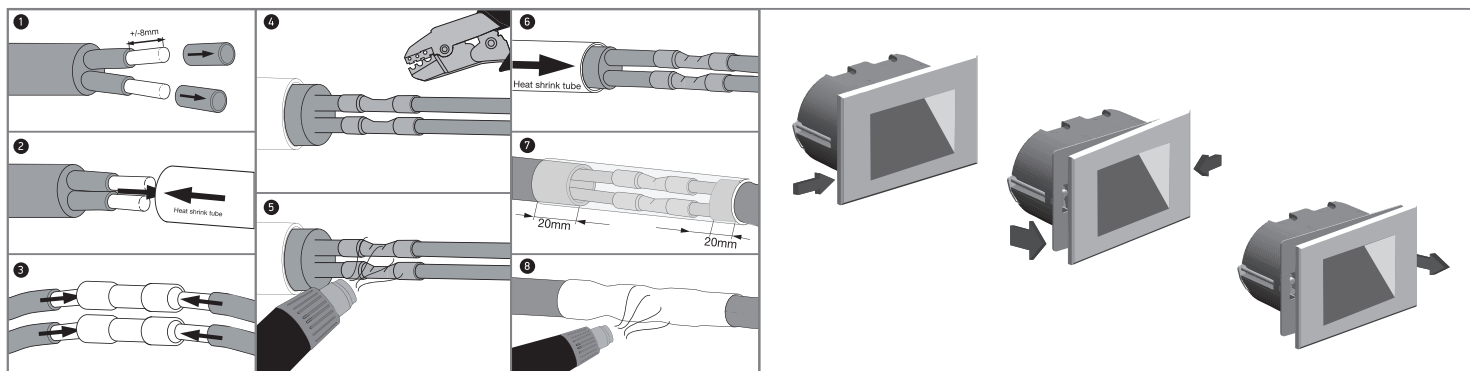


GYPSUM INSTALLATION



CONNECTION

EXTRACT



Warnings:

1. Make sure that the product is installed properly before connecting to electricity.
2. Do not cover the fitting.
3. Maintenance and installation should only be carried out by a professional electrician.