

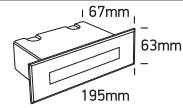
# INSTALLATION MANUAL

68072B

**ecolight**



80  
CRI



230V | SMD 2835 | 7W | IP65 | Stainless steel 316

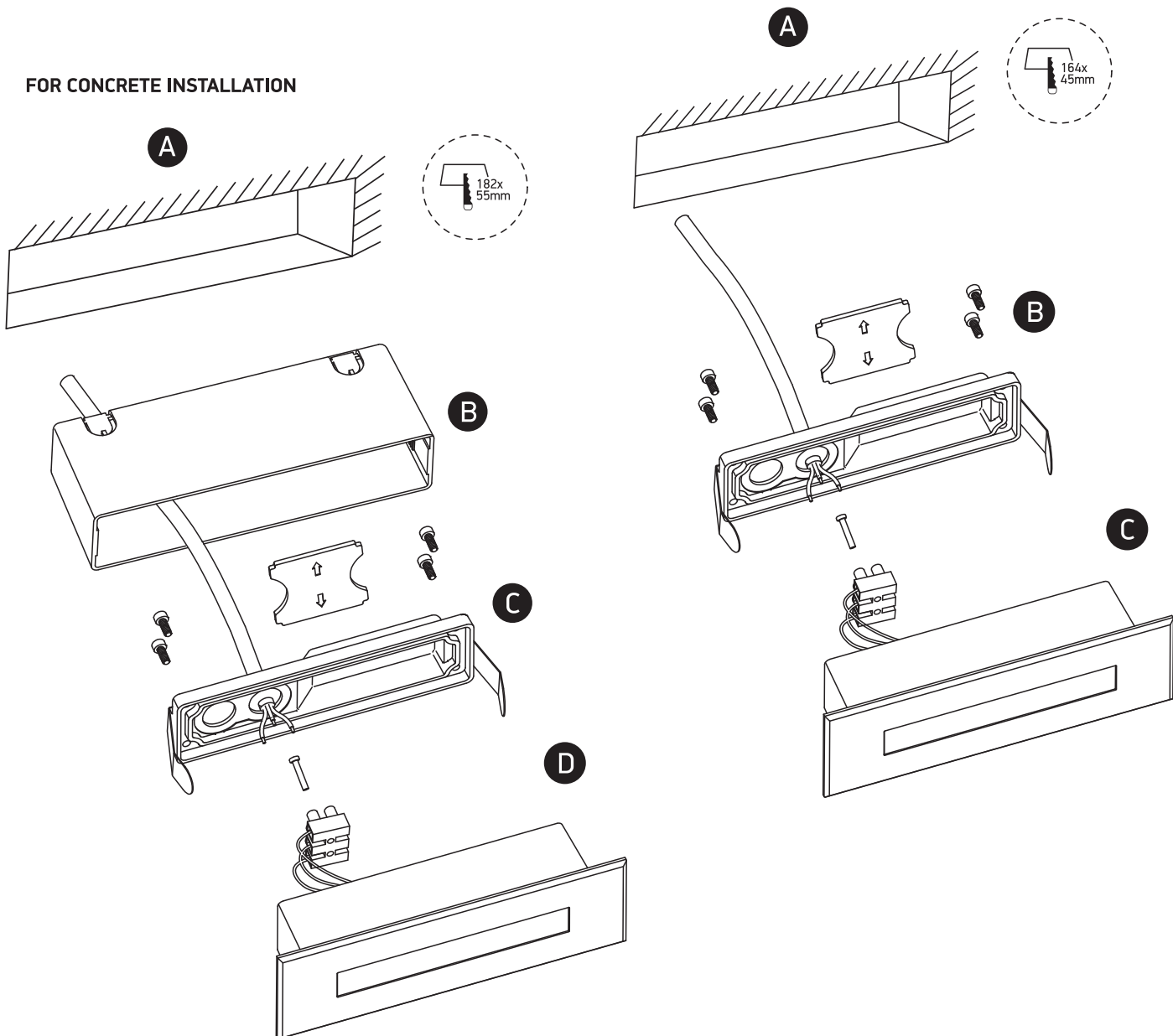
Complete with driver.  
Supplied with box for concrete  
installation.



**one**  
LIGHT

## FOR GYPSUM INSTALLATION

## FOR CONCRETE INSTALLATION



### Warnings:

1. Make sure that the product is installed properly before connecting to electricity.
2. Do not cover the fitting.
3. Maintenance and installation should only be carried out by a professional electrician.