

INSTALLATION MANUAL

68068

ecolight

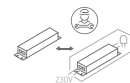
**DARK
LIGHT**
**80
CRI**


35mm



114mm

100-240V | SMD 2835 | 3W | IP65 | Die cast

 Complete with 350mA driver.
 Supplied with box for concrete installation.


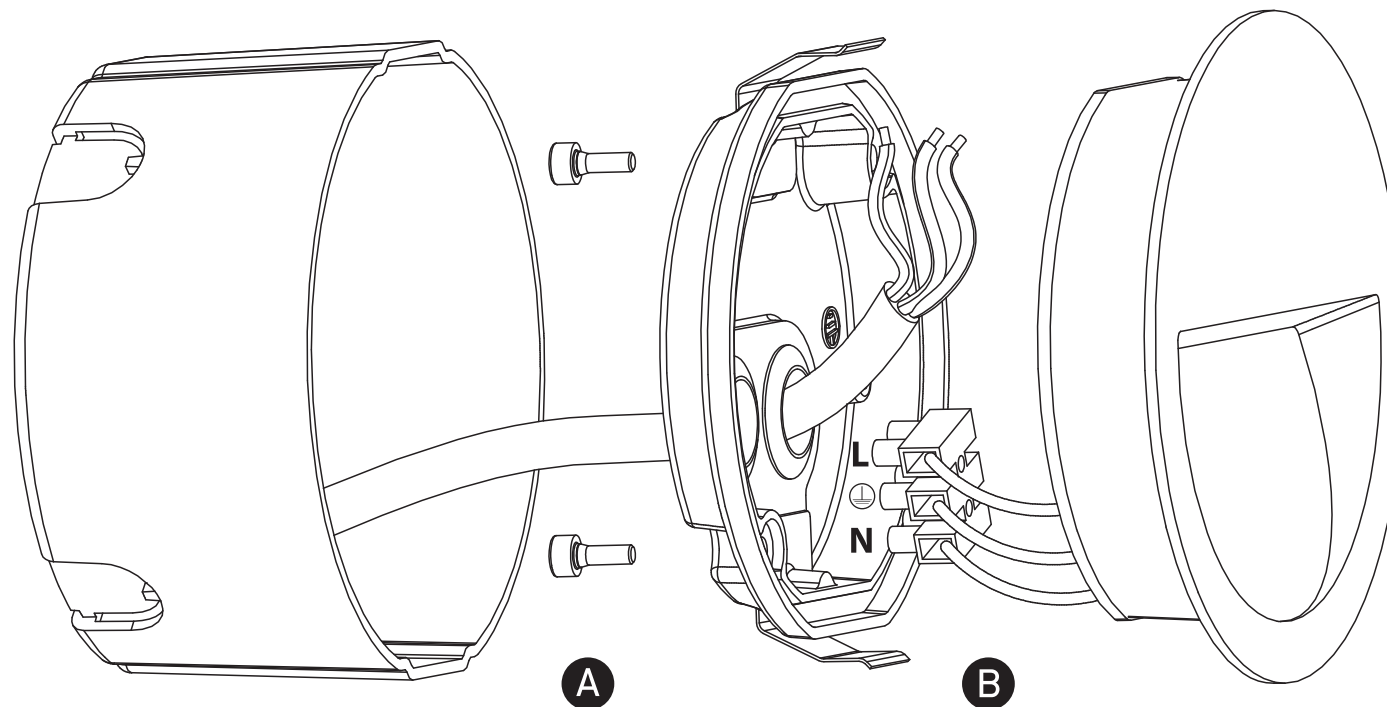
110mm

Concrete
installation

100mm

Gypsum
installation

60mm



Warnings:

1. Make sure that the product is installed properly before connecting to electricity.
2. Do not cover the fitting.
3. Maintenance and installation should only be carried out by a professional electrician.