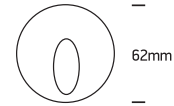


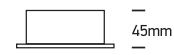
INSTALLATION MANUAL

68030

ecolight

 DARK
LIGHT


62mm



45mm

100-240V | 3W | IP54 | Recessed

 Complete with 700mA driver.
Supplied with box for concrete
installation.


52mm



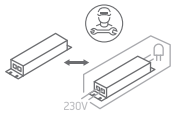
110mm

Concrete installation

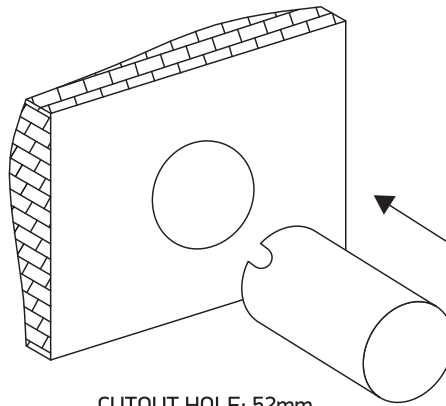


50mm

Gypsum installation

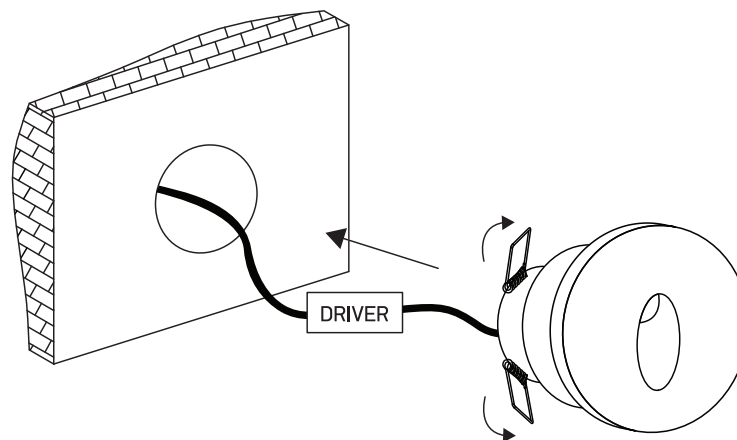
one
LIGHT


A

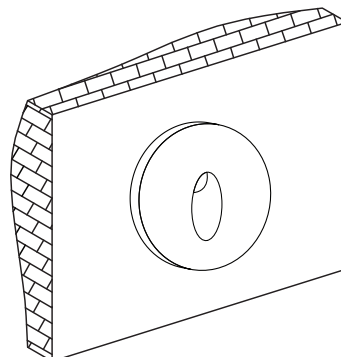


CUTOUT HOLE: 52mm

B



C



Warnings:

1. Make sure that the product is installed properly before connecting to electricity.
2. Do not cover the fitting.
3. Maintenance and installation should only be carried out by a professional electrician.