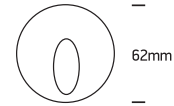


INSTALLATION MANUAL

68030

ecolight

**DARK
LIGHT**


62mm

100-240V | 3W | IP54 | Recessed

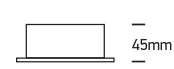
 Complete with 700mA driver.
 Supplied with box for concrete
 installation.


110mm

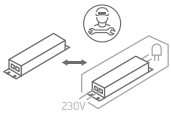
Concrete installation

50mm

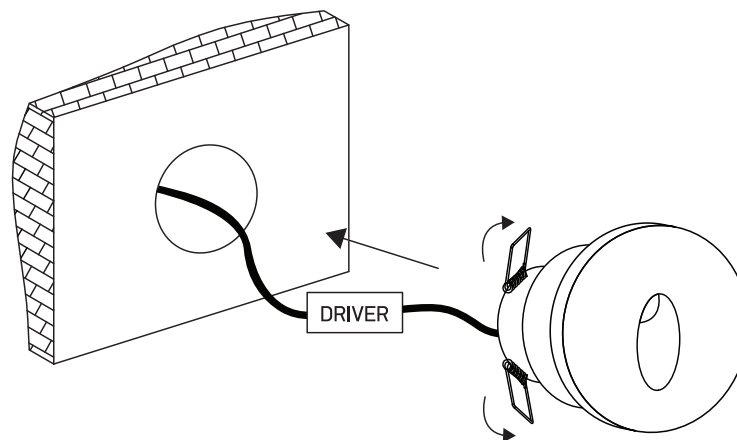
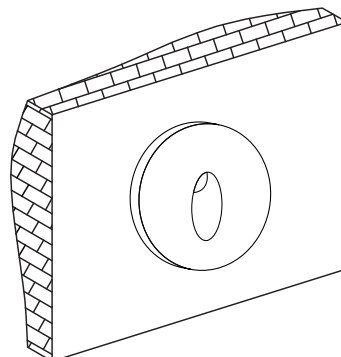
Gypsum installation



45mm

one
 LIGHT

A


CUTOUT HOLE: 52mm

B

C


Warnings:

1. Make sure that the product is installed properly before connecting to electricity.
2. Do not cover the fitting.
3. Maintenance and installation should only be carried out by a professional electrician.