

INSTALLATION MANUAL

68007

ecolight

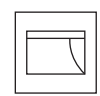


DARK
LIGHT



94mm

35mm

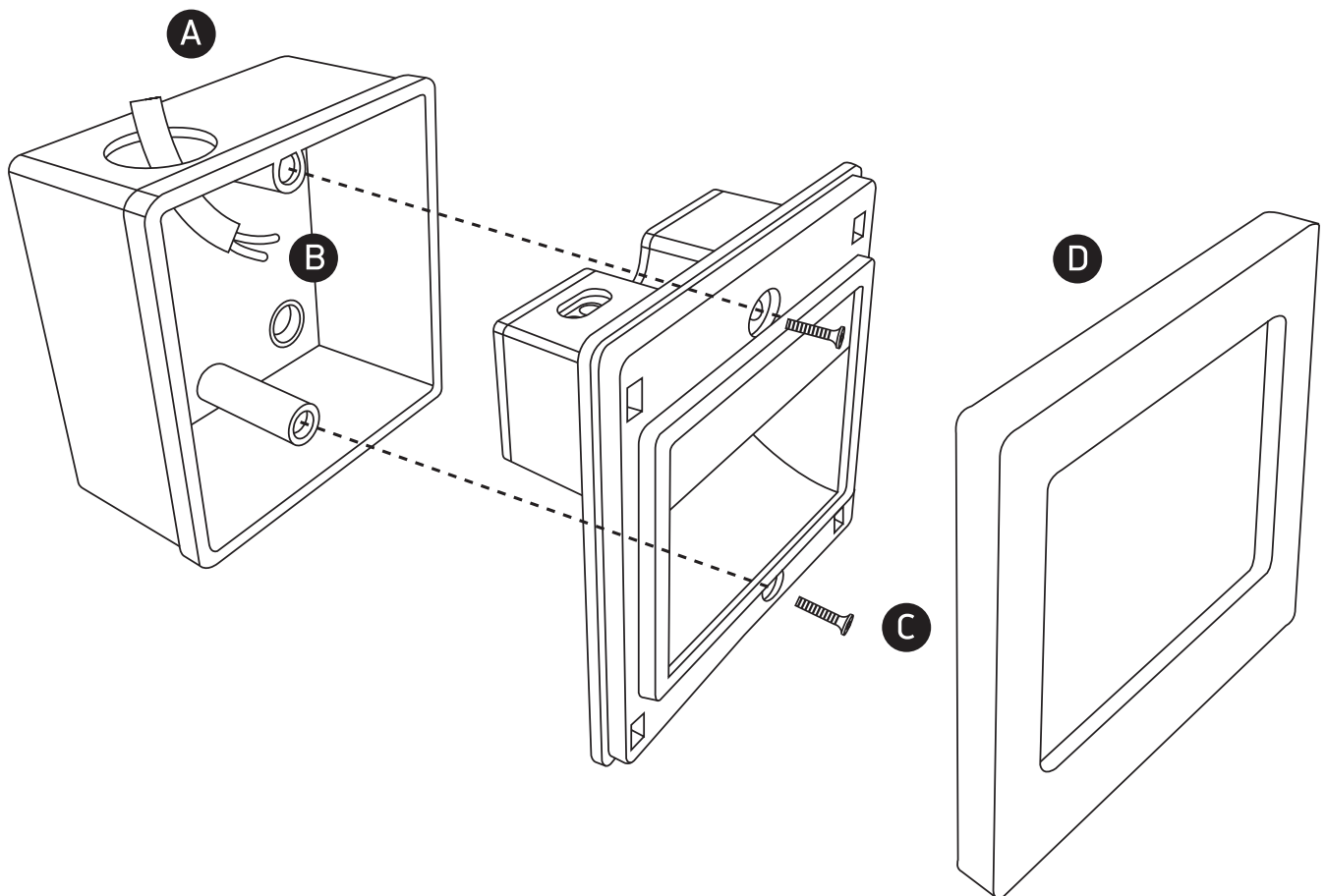


100-240V | 1,5W | IP20 | Plastic

Complete with driver and installation box
for concrete installation.



one
LIGHT



Warnings:

1. Make sure that the product is installed properly before connecting to electricity.
2. Do not cover the fitting.
3. Maintenance and installation should only be carried out by a professional electrician.