

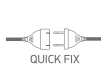
# INSTALLATION MANUAL

68005

**ecolight**



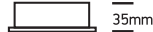
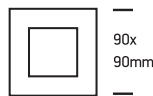
**DARK LIGHT**



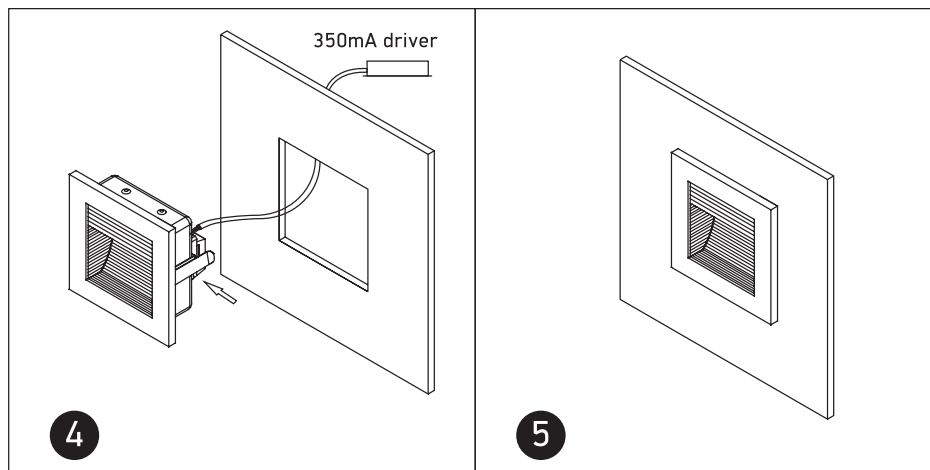
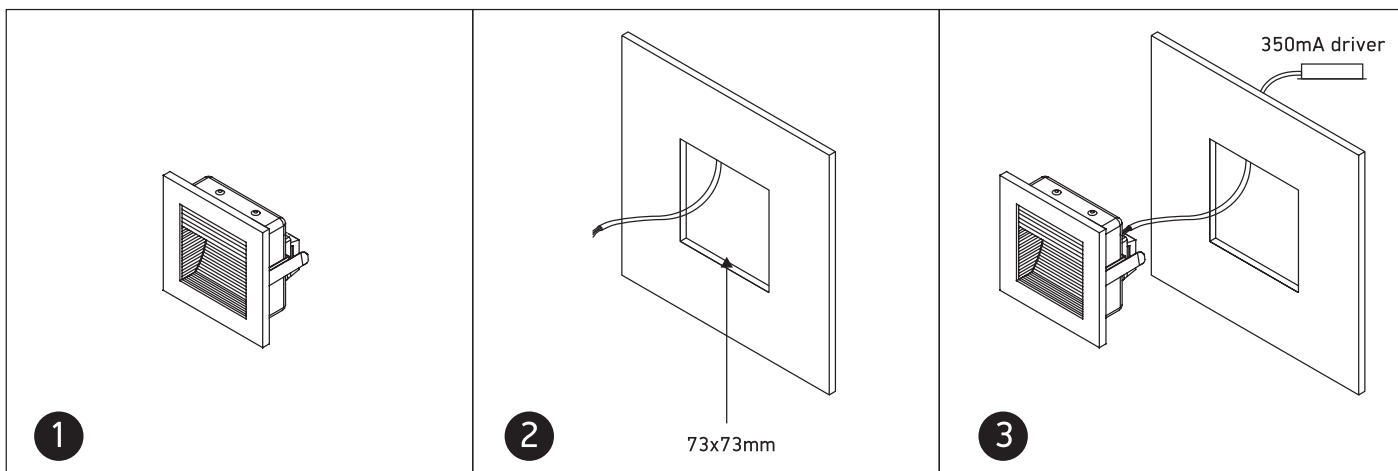
350mA | 1W | IP20 | Die cast

Requires 350mA driver.

For concrete installation, order 68005/BOX.



**one**  
LIGHT



## Warnings:

1. Make sure that the product is installed properly before connecting to electricity.
2. Do not cover the fitting.
3. Maintenance and installation should only be carried out by a professional electrician.