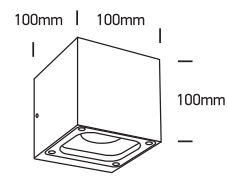


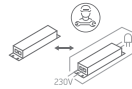
# INSTALLATION MANUAL

## 67524B

**ecolight**

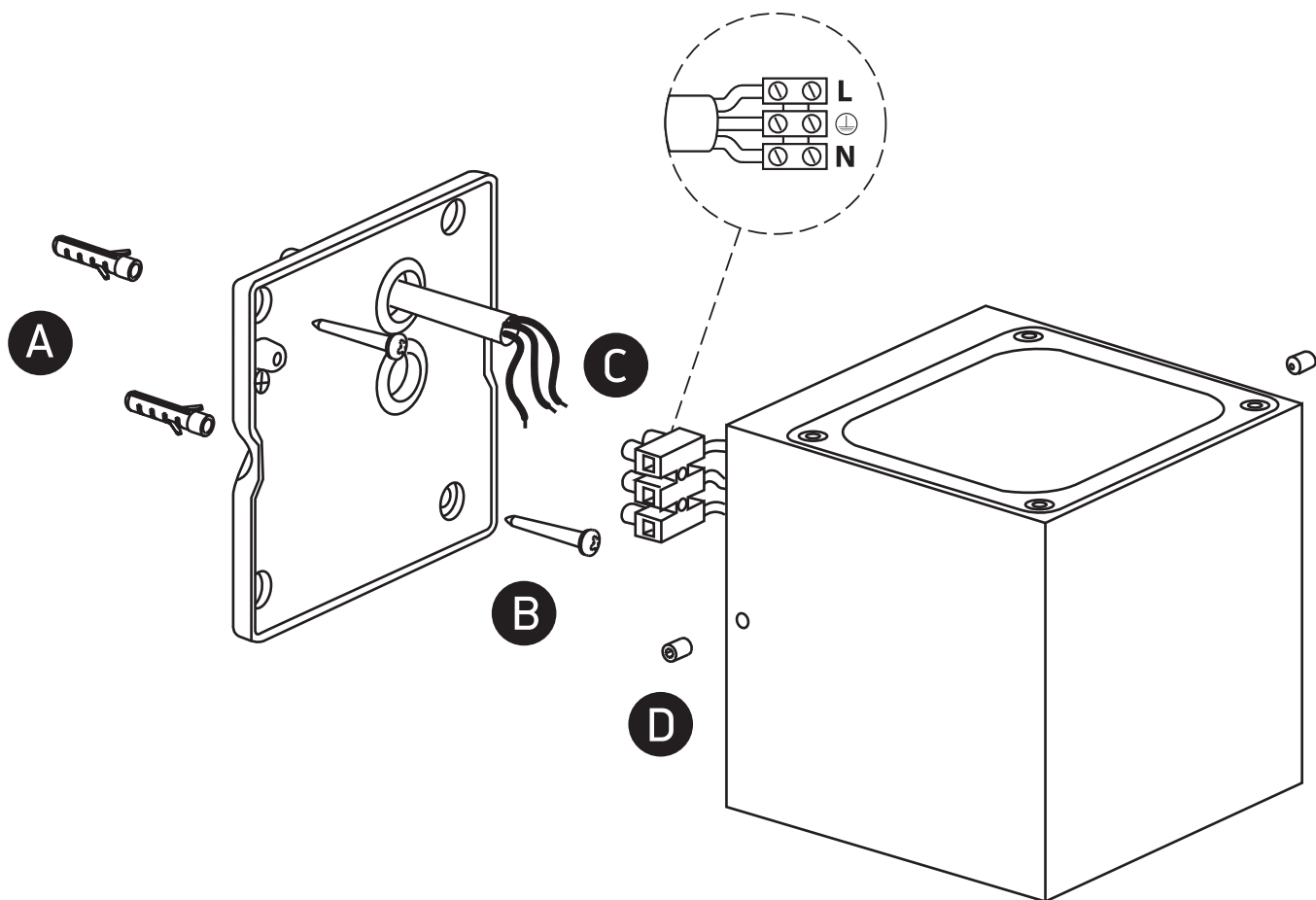


230V | COB LED | 2x6W | IP65 | Die cast  
Complete with 500mA driver.



80 CRI

**one**  
LIGHT



### Warnings:

1. Make sure that the product is installed properly before connecting to electricity.
2. Do not cover the fitting.
3. Maintenance and installation should only be carried out by a professional electrician.