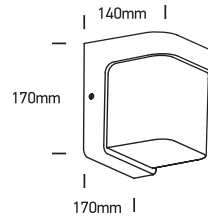


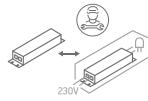
# INSTALLATION MANUAL

67492

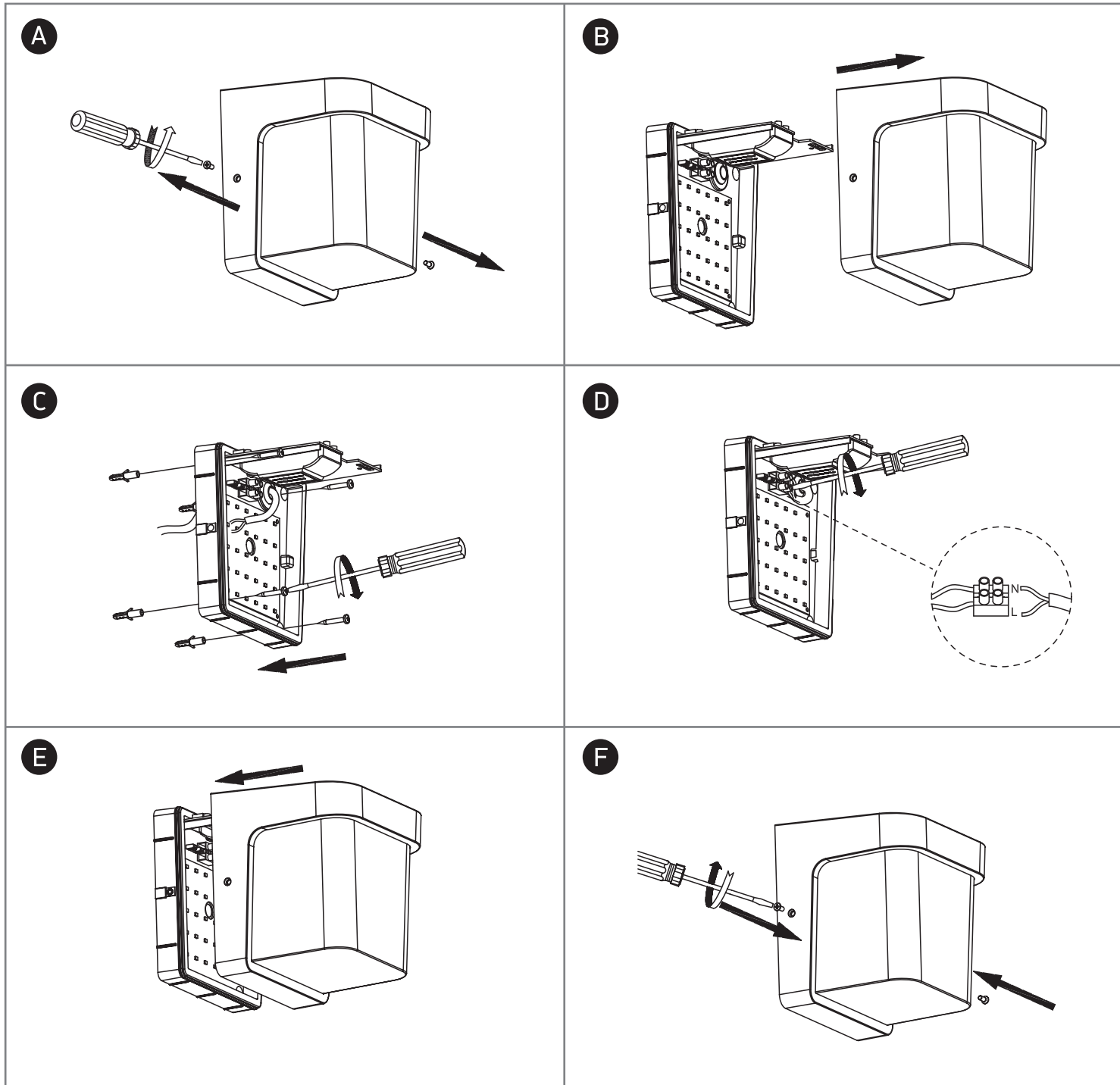
**ecolight**



230V | SMD 2835 | 12W | IP54 | Plastic + PC  
Complete with 300mA driver.



80 CRI



**Warnings:**

1. Make sure that the product is installed properly before connecting to electricity.
2. Do not cover the fitting.
3. Maintenance and installation should only be carried out by a professional electrician.