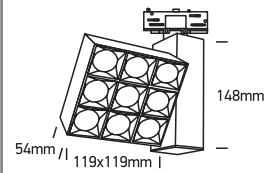


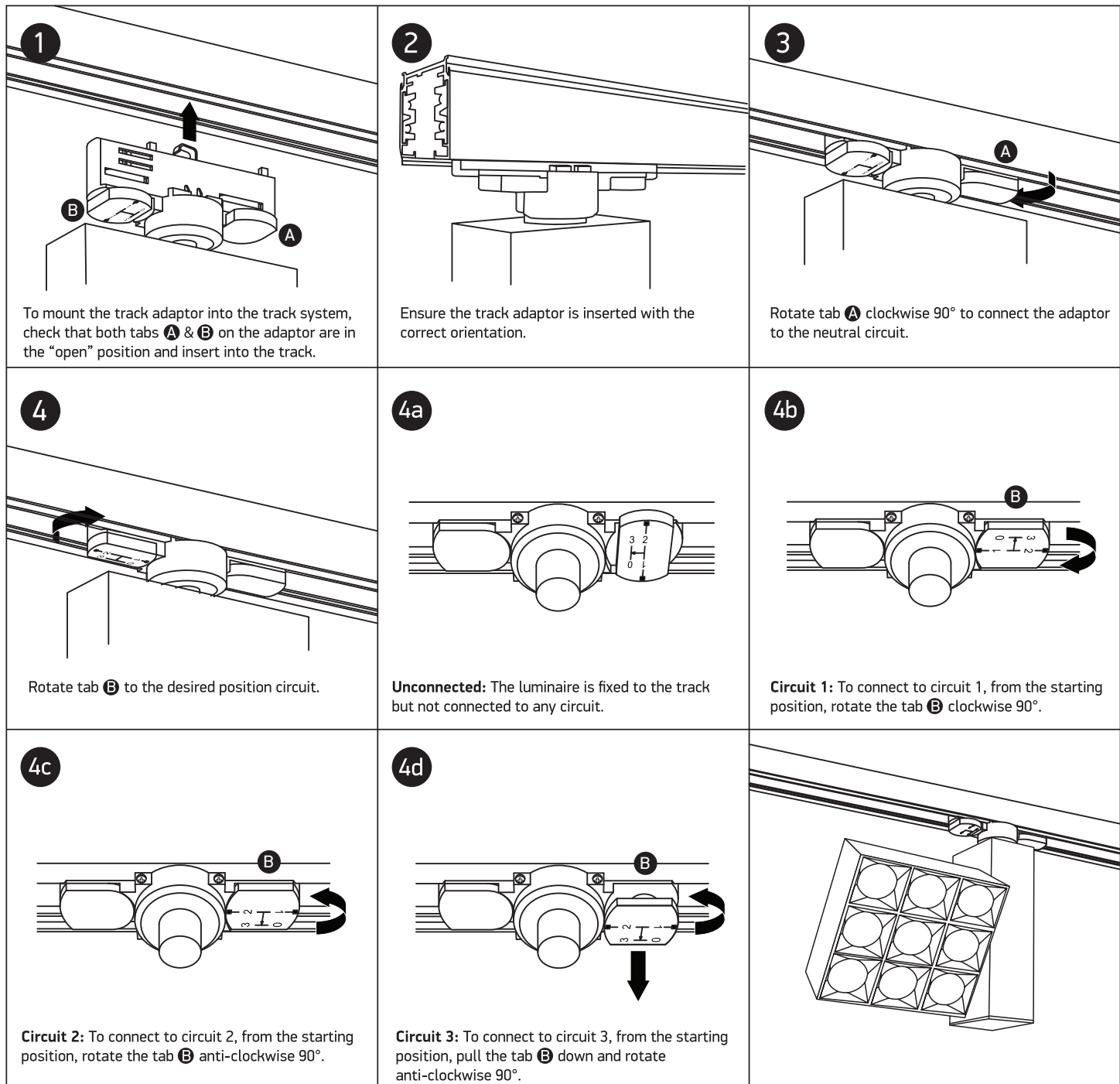
# INSTALLATION MANUAL

## 65906BT

**ecotrackspot**

**one**  
LIGHT

30W | 230V | 50/60Hz | IP20 | Die cast | Adjustable

Complete with 700mA driver

**90**  
CRI


### Warnings:

1. Make sure that the product is installed properly before connecting to electricity.
2. Do not cover the fitting.
3. Maintenance and installation should only be carried out by a professional electrician.