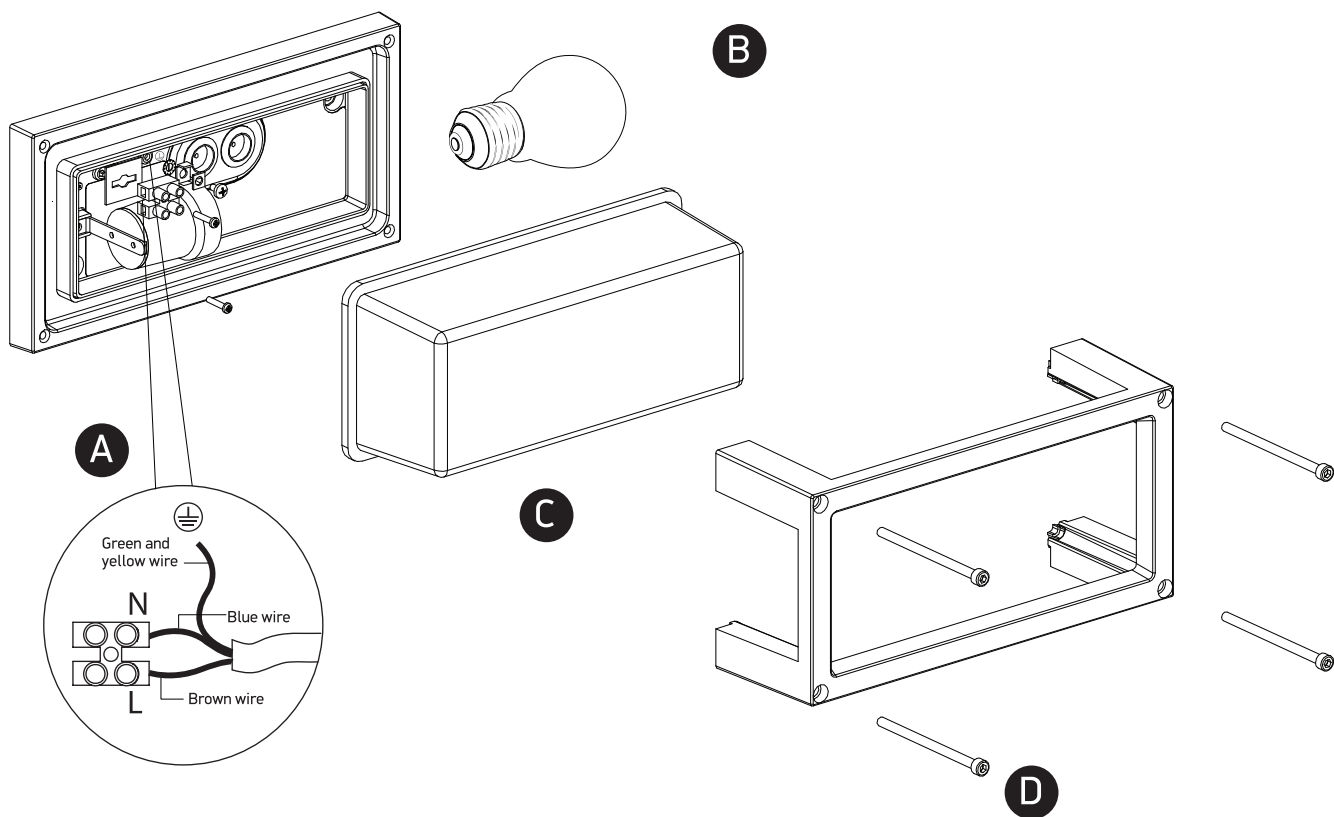
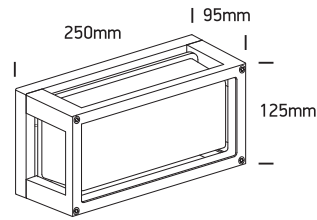


# INSTALLATION MANUAL

## 67420



100-240V | E27 | 15W | IP54 | Die cast + frosted glass



### Warnings:

1. Make sure that the product is installed properly before connecting to electricity.
2. Do not cover the fitting.
3. Maintenance and installation should only be carried out by a professional electrician.