

# INSTALLATION MANUAL

65146

**ecolight**



ADJUSTABLE



35mm

300mm

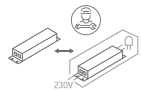
50mm

**one**  
LIGHT

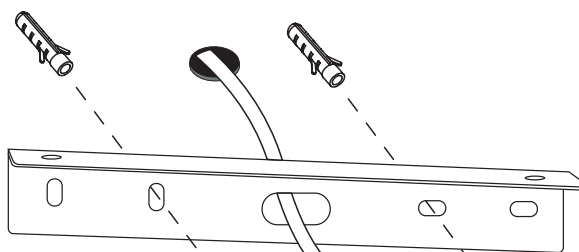
230V | 3W Reading Spot + 6W General lighting | IP20 | Metal + aluminium

Complete with 700mA + 500mA drivers / With 2 x ON/OFF Switches.

80  
CRI



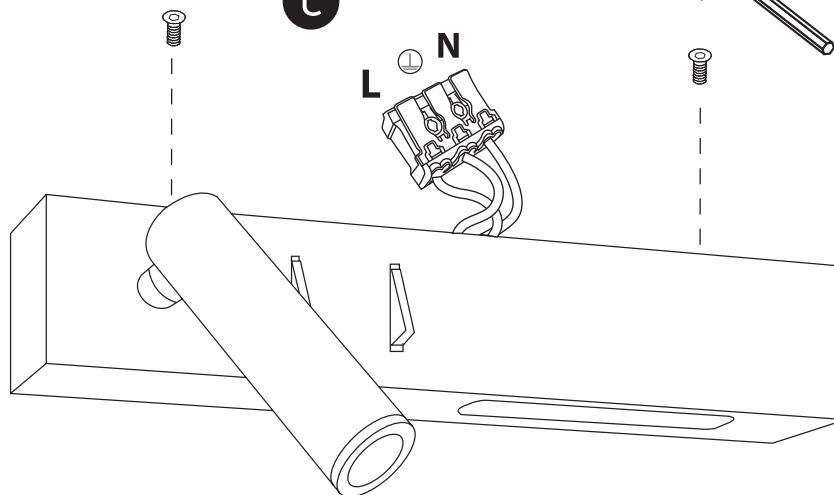
A



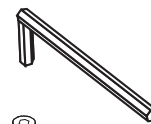
B



C



D



## Warnings:

1. Make sure that the product is installed properly before connecting to electricity.
2. Do not cover the fitting.
3. Maintenance and installation should only be carried out by a professional electrician.