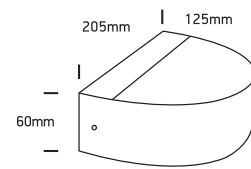


# INSTALLATION MANUAL

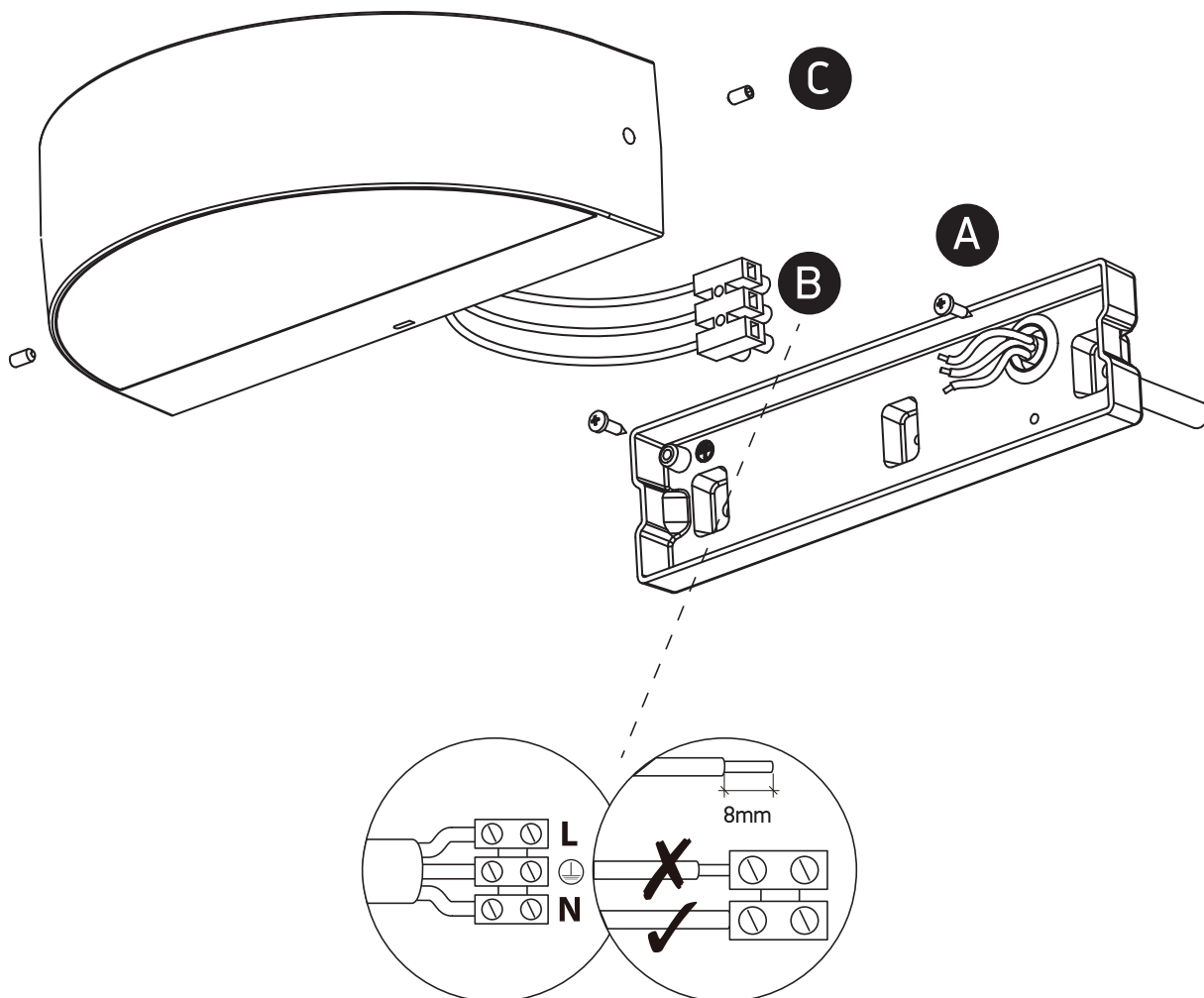
## 67362B

**ecolight**

**Ra>80**

**one**  
LIGHT

230V | 9W | IP54 | Die cast

Complete with driver



### Warnings:

1. Make sure that the product is installed properly before connecting to electricity.
2. Do not cover the fitting.
3. Maintenance and installation should only be carried out by a professional electrician.