

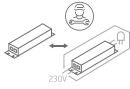
INSTALLATION MANUAL

67362A

ecolight

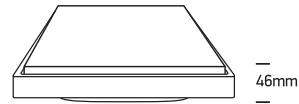


230V | SMD 2835 | 25W | IP54 | Die cast
Complete with 350mA driver.

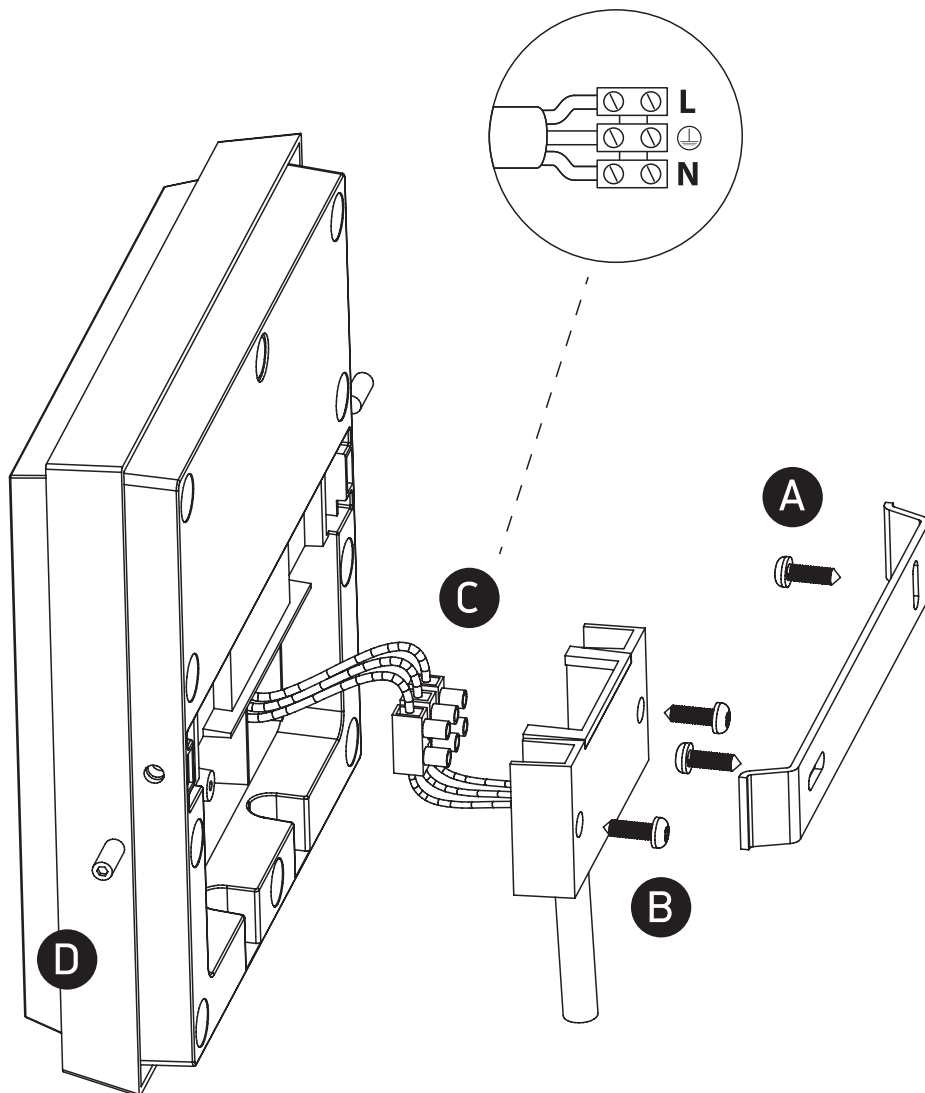


80 CRI

| 238x238mm |



one
LIGHT



Warnings:

1. Make sure that the product is installed properly before connecting to electricity.
2. Do not cover the fitting.
3. Maintenance and installation should only be carried out by a professional electrician.