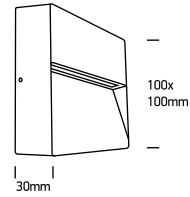


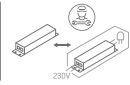
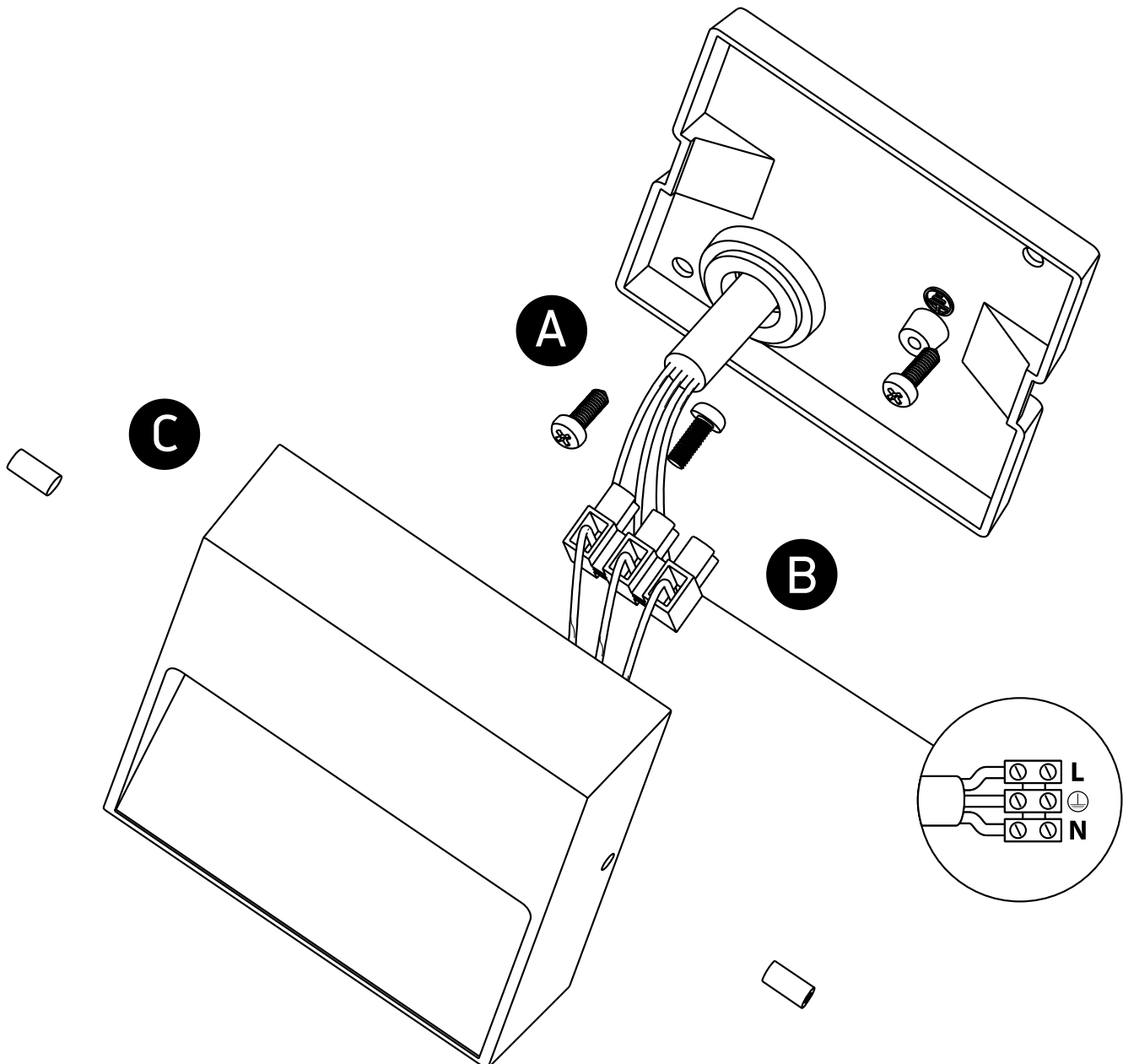
# INSTALLATION MANUAL

## 67359A

**ecolight**

 DARK  
LIGHT


100-240V | SMD 5630 | 4W | IP54 | Die cast  
Complete with 350mA driver.


**80  
CRI**
**one**  
LIGHT


### Warnings:

1. Make sure that the product is installed properly before connecting to electricity.
2. Do not cover the fitting.
3. Maintenance and installation should only be carried out by a professional electrician.