

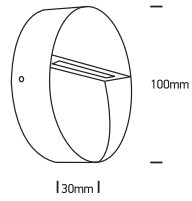
# INSTALLATION MANUAL

67359

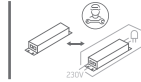
**ecolight**



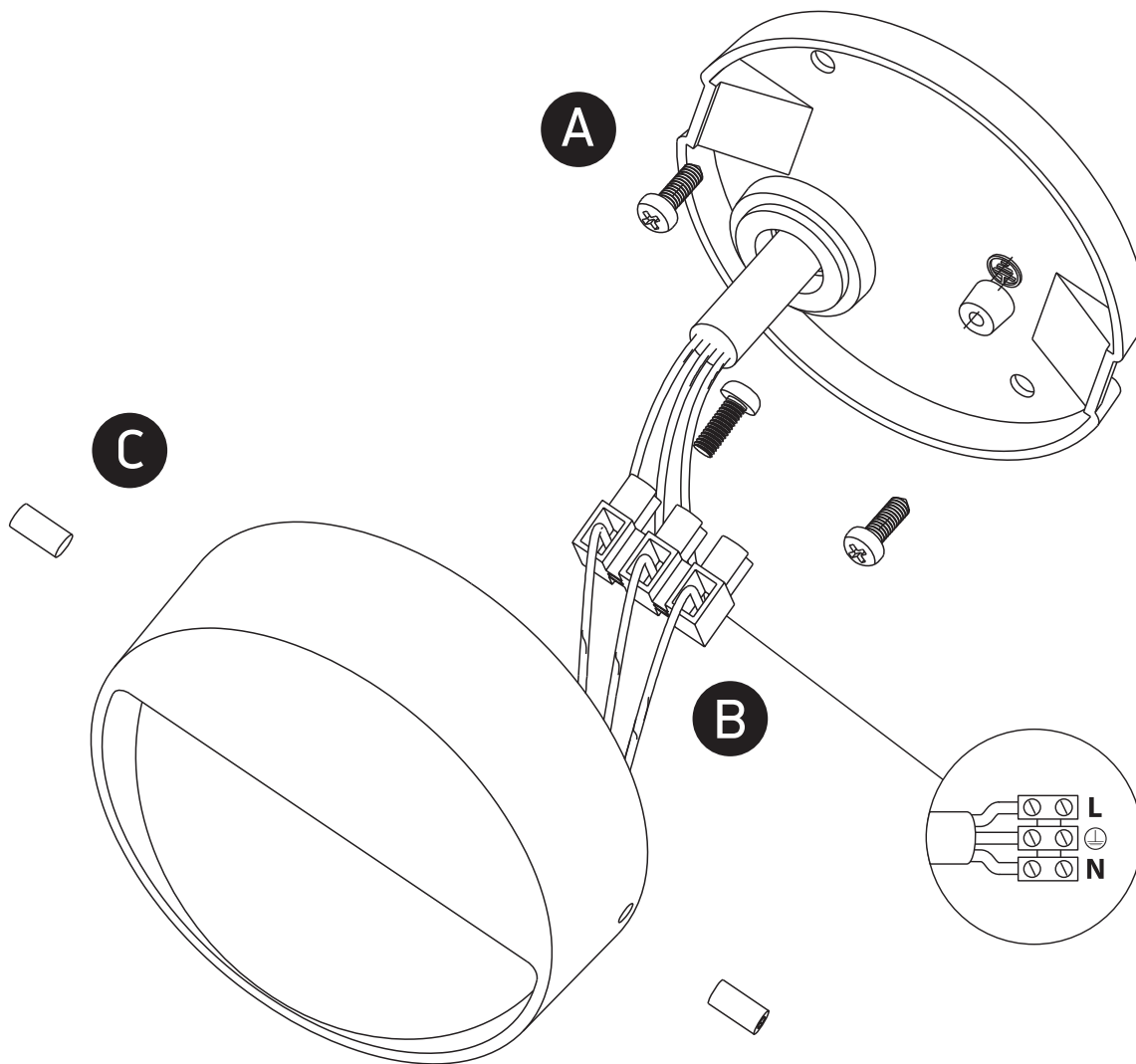
DARK  
LIGHT



100-240V | SMD 5630 | 3W | IP54 | Die cast  
Complete with 350mA driver.



80  
CRI



## Warnings:

1. Make sure that the product is installed properly before connecting to electricity.
2. Do not cover the fitting.
3. Maintenance and installation should only be carried out by a professional electrician.