

# INSTALLATION MANUAL

67342

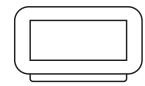
ecolight



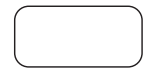
Ra>80



150mm



90mm



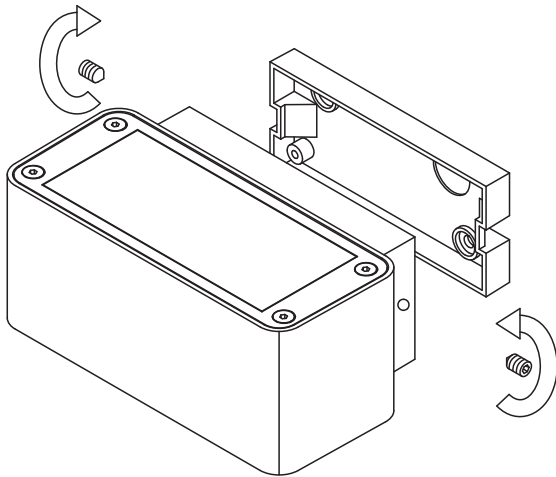
65mm

230V | 4x3W | 50/60Hz | IP54 | Die cast

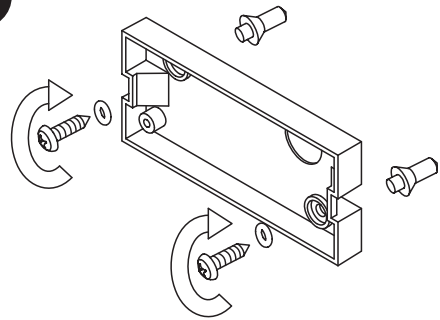
Complete with driver

one  
LIGHT

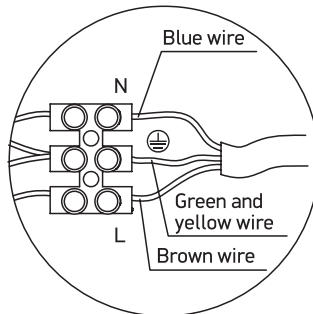
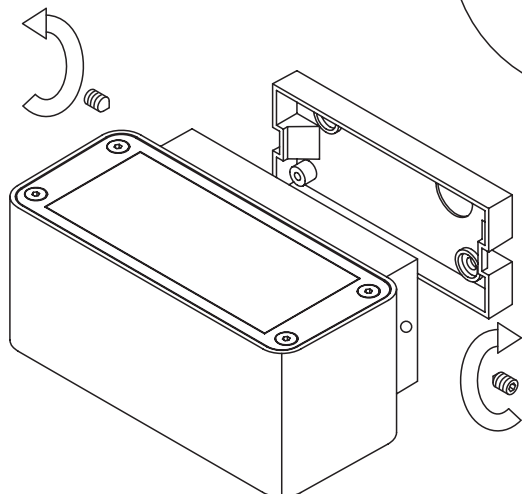
A



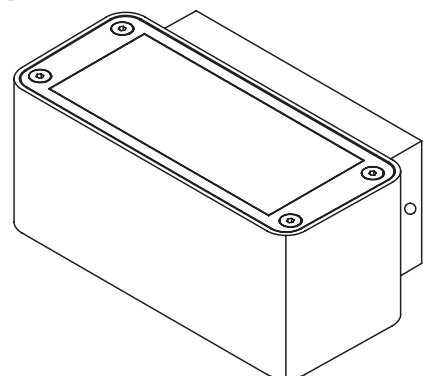
B



C



D



## Warnings:

1. Make sure that the product is installed properly before connecting to electricity.
2. Do not cover the fitting.
3. Maintenance and installation should only be carried out by a professional electrician.