

# INSTALLATION MANUAL

67282N

**ecolight**



CE

RoHS  
COMPLIANT



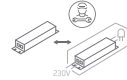
| 221x221mm |



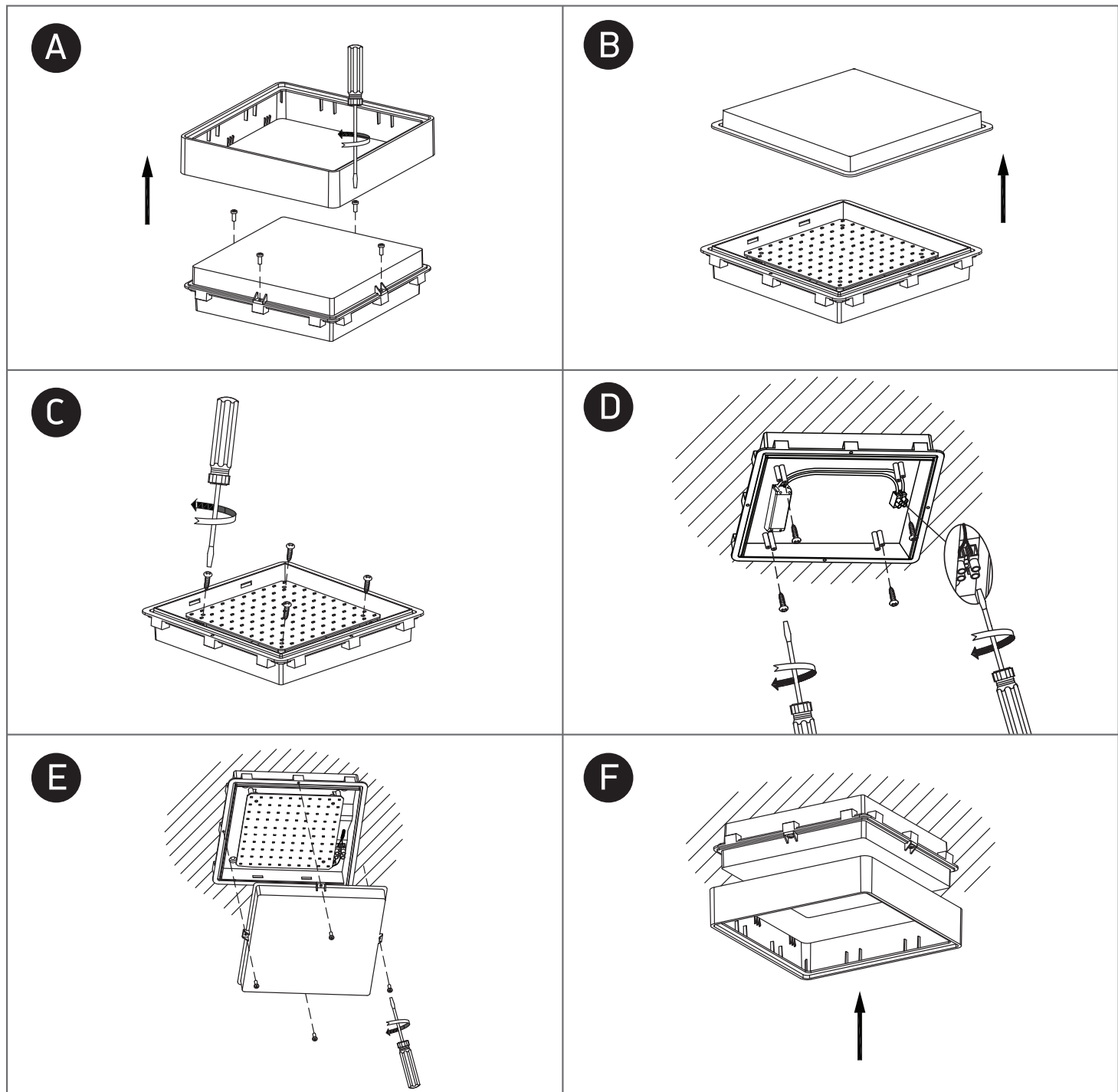
57mm

**one**  
LIGHT

230V | SMD 2835 | 16W | IP65 | ABS + PC  
Complete with 500mA driver.



80  
CRI



## Warnings:

1. Make sure that the product is installed properly before connecting to electricity.
2. Do not cover the fitting.
3. Maintenance and installation should only be carried out by a professional electrician.