

# INSTALLATION MANUAL

67282AN, 67282BN

**ecolight**



Ra>80

CE

RoHS  
COMPLIANT



Complete with driver.

230V | SMD 2835 | 24W / 30W | IP65 | Plastic

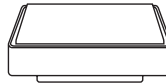
| 295x295mm |



80mm

67282AN

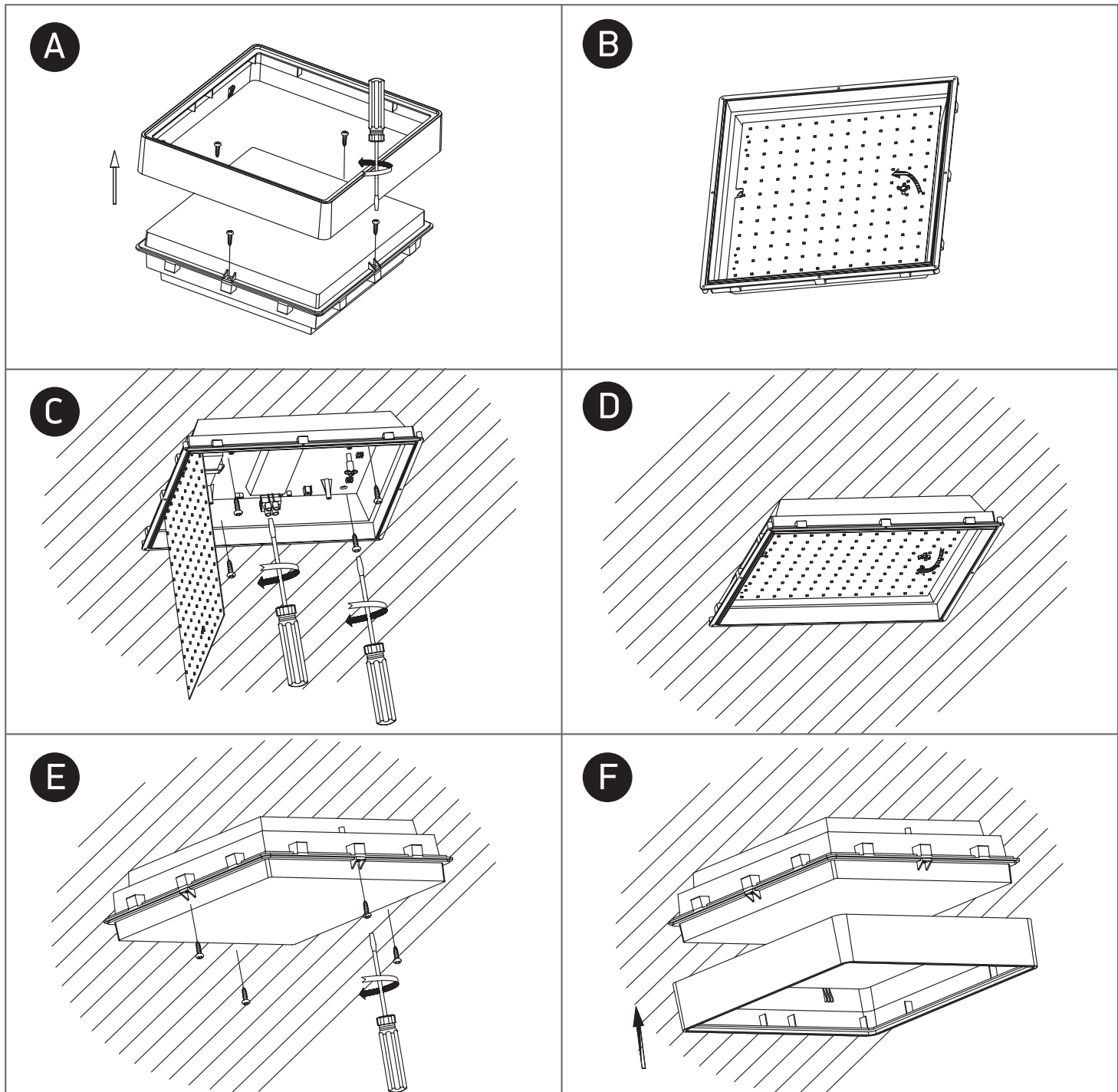
| 400x400mm |



95mm

67282BN

**one**  
LIGHT



## Warnings:

1. Make sure that the product is installed properly before connecting to electricity.
2. Do not cover the fitting.
3. Maintenance and installation should only be carried out by a professional electrician.