

INSTALLATION MANUAL

65746A

LED
BUILT IN



ADJUSTABLE

CE

EAC

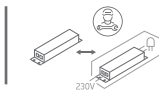
UK
CA

RoHS
COMPLIANT

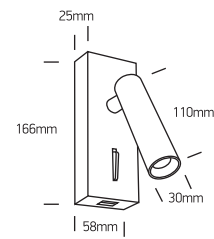


NOT
DIMMABLE

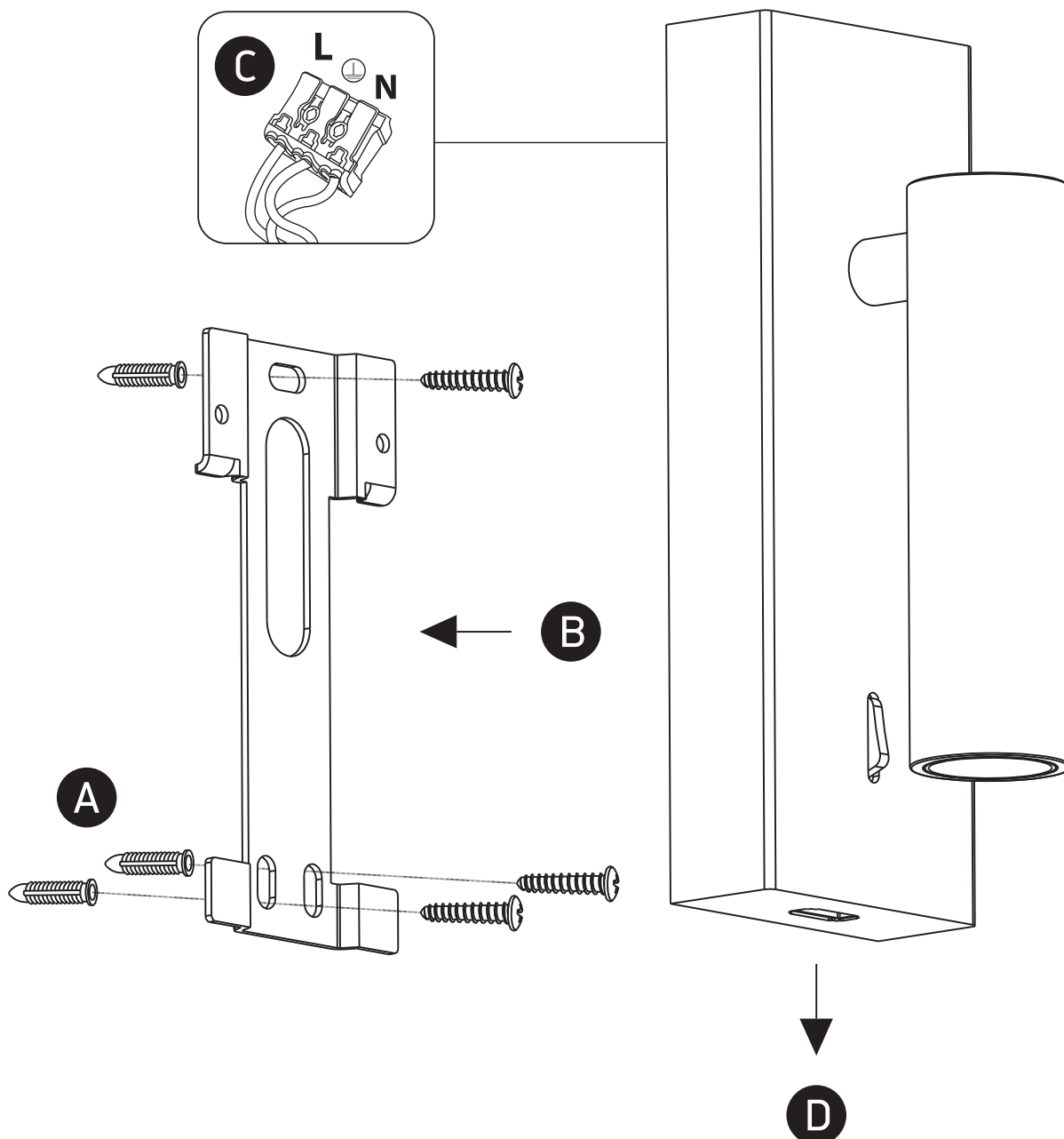
230V | LED | 3W | IP20 | Aluminium
Complete with 700mA driver.



90
CRI



one
LIGHT



Warnings:

1. Make sure that the product is installed properly before connecting to electricity.
2. Do not cover the fitting.
3. Maintenance and installation should only be carried out by a professional electrician.