

INSTALLATION MANUAL

65662AT

LED
BUILT IN



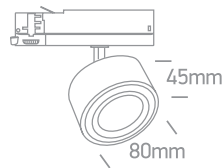
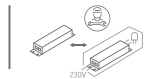
ADJUSTABLE

90
CRI

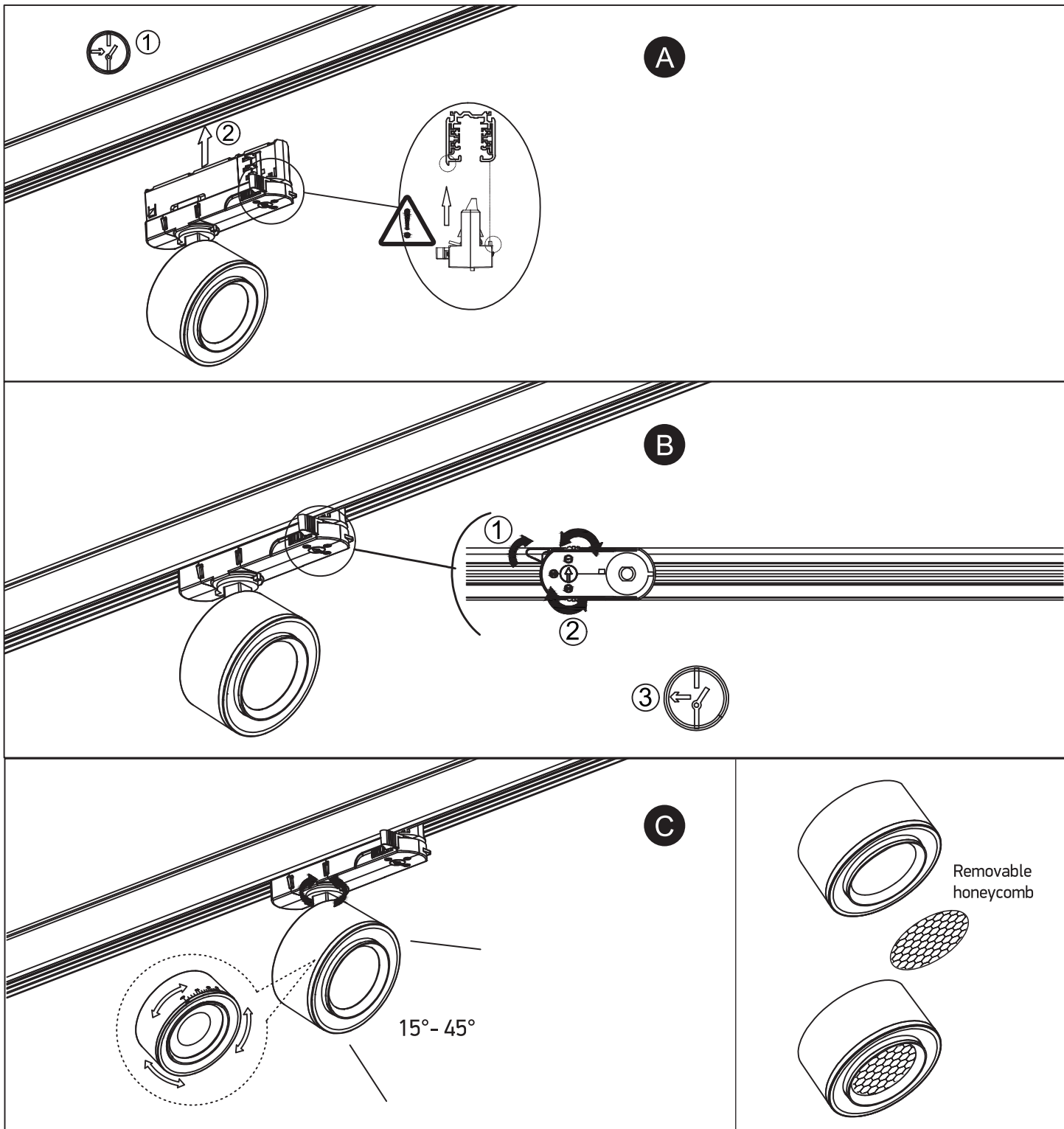


230V | COB LED | 18W | IP20 | Adjustable beam | Aluminium

Complete with 450mA driver.



one
LIGHT



Warnings:

1. Make sure that the product is installed properly before connecting to electricity.
2. Do not cover the fitting.
3. Maintenance and installation should only be carried out by a professional electrician.