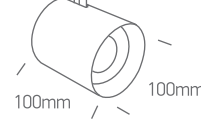


INSTALLATION MANUAL

65660BTT

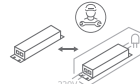
LED
BUILT IN

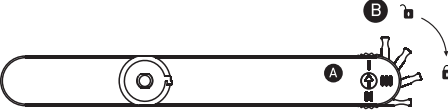
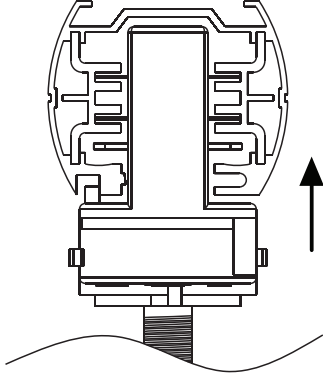
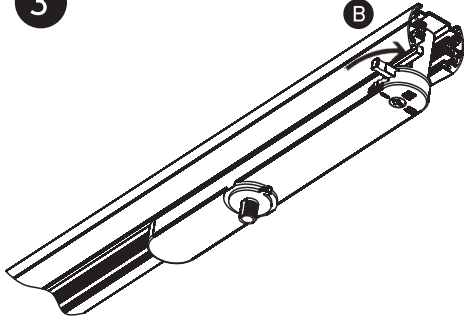




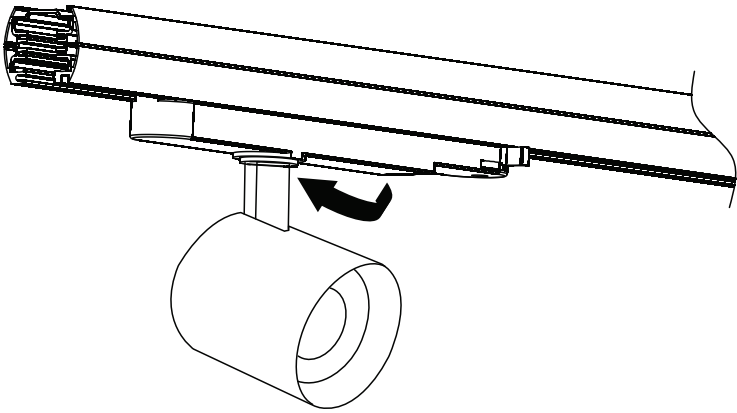
CE
EAC
UK
CA

RoHS
COMPLIANT

one
LIGHT

 230V | COB LED | 35W | 50/60Hz | IP20 | Dimmable
Aluminium | Adjustable

Complete with 950mA driver.

90
CRI


<p>1</p>  <p>To mount the track adaptor into the track system, first check that the selector knob A is at OFF position and the adaptor lock B is disengaged.</p>	<p>2</p>  <p>When installing the adaptor into the track, ensure that it is orientated correctly.</p>	<p>3</p>  <p>Rotate adaptor lock B clockwise 90° to connect the adaptor to the neutral circuit.</p>
<p>4</p>  <p>Rotate selector knob A to the position of desired circuit.</p>	<p>4a</p>  <p>Circuit 1: Rotate the knob A 90° clockwise from the starting position OFF, to connect circuit 1.</p>	<p>4b</p>  <p>Circuit 2: Rotate the knob A 90° anti-clockwise from the starting position OFF, to connect circuit 2.</p>
<p>4c</p>  <p>Circuit 3: Rotate the knob A 180° clockwise from the starting position OFF, to connect circuit 3.</p>	<p>5</p> 	

Warnings:

1. Make sure that the product is installed properly before connecting to electricity.
2. Do not cover the fitting.
3. Maintenance and installation should only be carried out by a professional electrician.