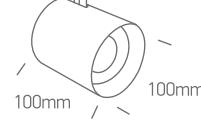


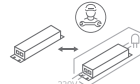
# INSTALLATION MANUAL

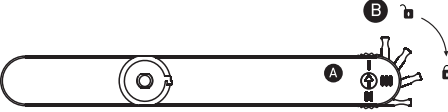
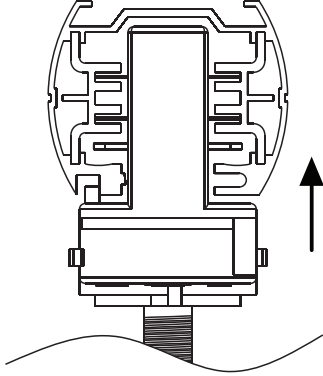
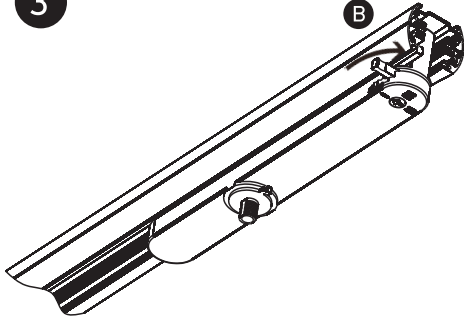




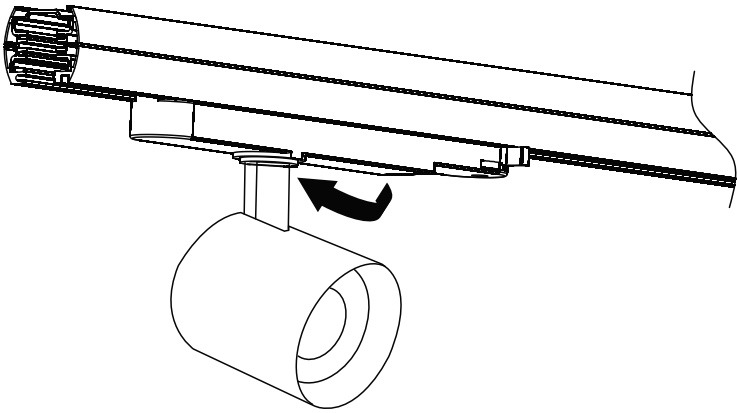
## 65660BTT

**LED**  
BUILT IN

**one**  
LIGHT

230V | COB LED | 35W | 50/60Hz | IP20 | Dimmable  
Aluminium | Adjustable

Complete with 950mA driver.

**90**  
CRI


<p><b>1</b></p>  <p>To mount the track adaptor into the track system, first check that the selector knob <b>A</b> is at OFF position and the adaptor lock <b>B</b> is disengaged.</p>	<p><b>2</b></p>  <p>When installing the adaptor into the track, ensure that it is orientated correctly.</p>	<p><b>3</b></p>  <p>Rotate adaptor lock <b>B</b> clockwise 90° to connect the adaptor to the neutral circuit.</p>
<p><b>4</b></p>  <p>Rotate selector knob <b>A</b> to the position of desired circuit.</p>	<p><b>4a</b></p>  <p><b>Circuit 1:</b> Rotate the knob <b>A</b> 90° clockwise from the starting position OFF, to connect circuit 1.</p>	<p><b>4b</b></p>  <p><b>Circuit 2:</b> Rotate the knob <b>A</b> 90° anti-clockwise from the starting position OFF, to connect circuit 2.</p>
<p><b>4c</b></p>  <p><b>Circuit 3:</b> Rotate the knob <b>A</b> 180° clockwise from the starting position OFF, to connect circuit 3.</p>	<p><b>5</b></p> 	

### Warnings:

1. Make sure that the product is installed properly before connecting to electricity.
2. Do not cover the fitting.
3. Maintenance and installation should only be carried out by a professional electrician.