

# INSTALLATION MANUAL

## 65656CT

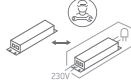
**eco**trackspot



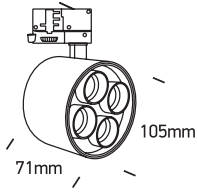
DARK  
LIGHT



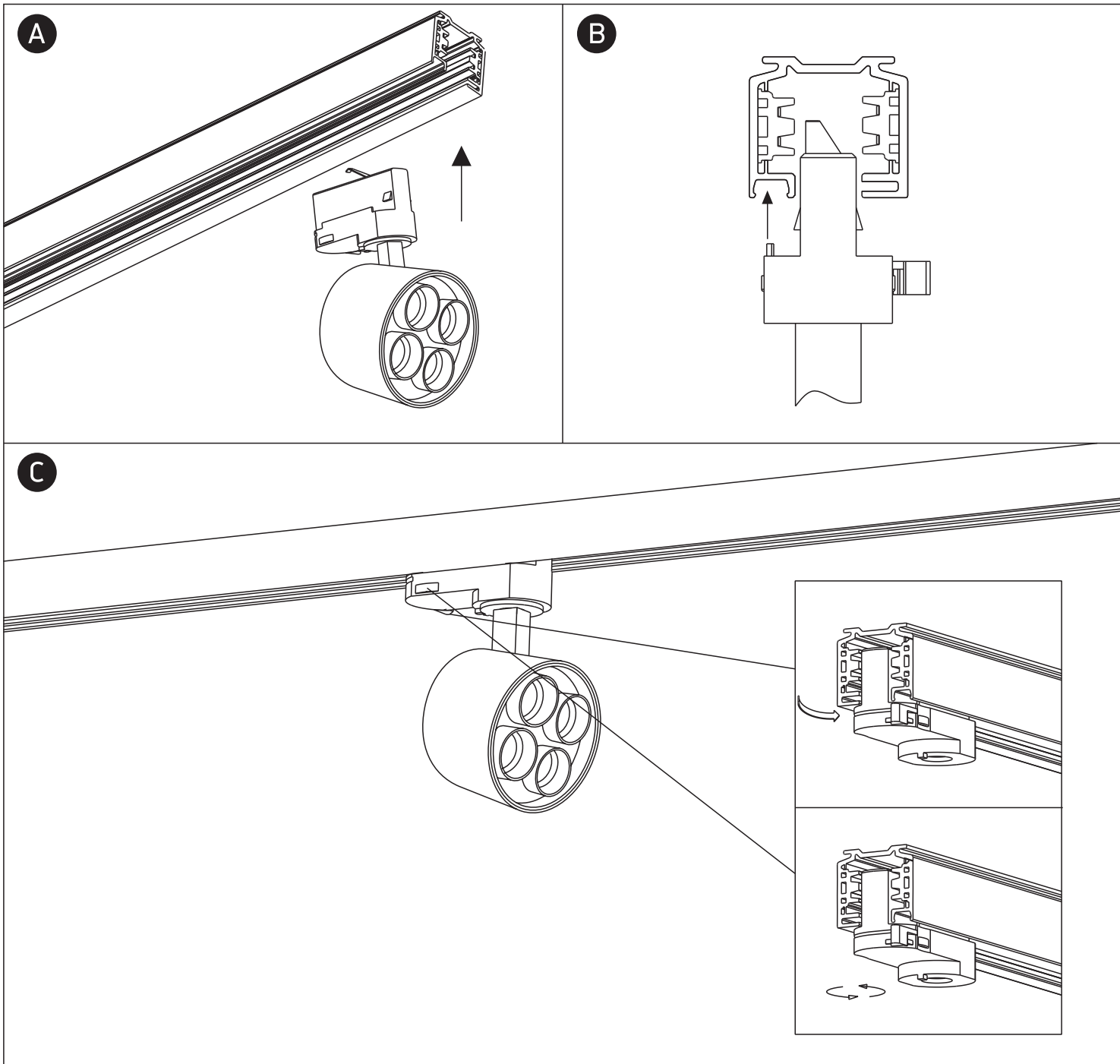
230V | SMD 5050 | 24W | IP20 | Aluminium | Adjustable  
Complete with 700mA driver.



90  
CRI



**one**  
LIGHT



### Warnings:

1. Make sure that the product is installed properly before connecting to electricity.
2. Do not cover the fitting.
3. Maintenance and installation should only be carried out by a professional electrician.