

INSTALLATION MANUAL

65656BT

ecotrackspot

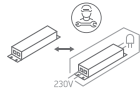


DARK LIGHT

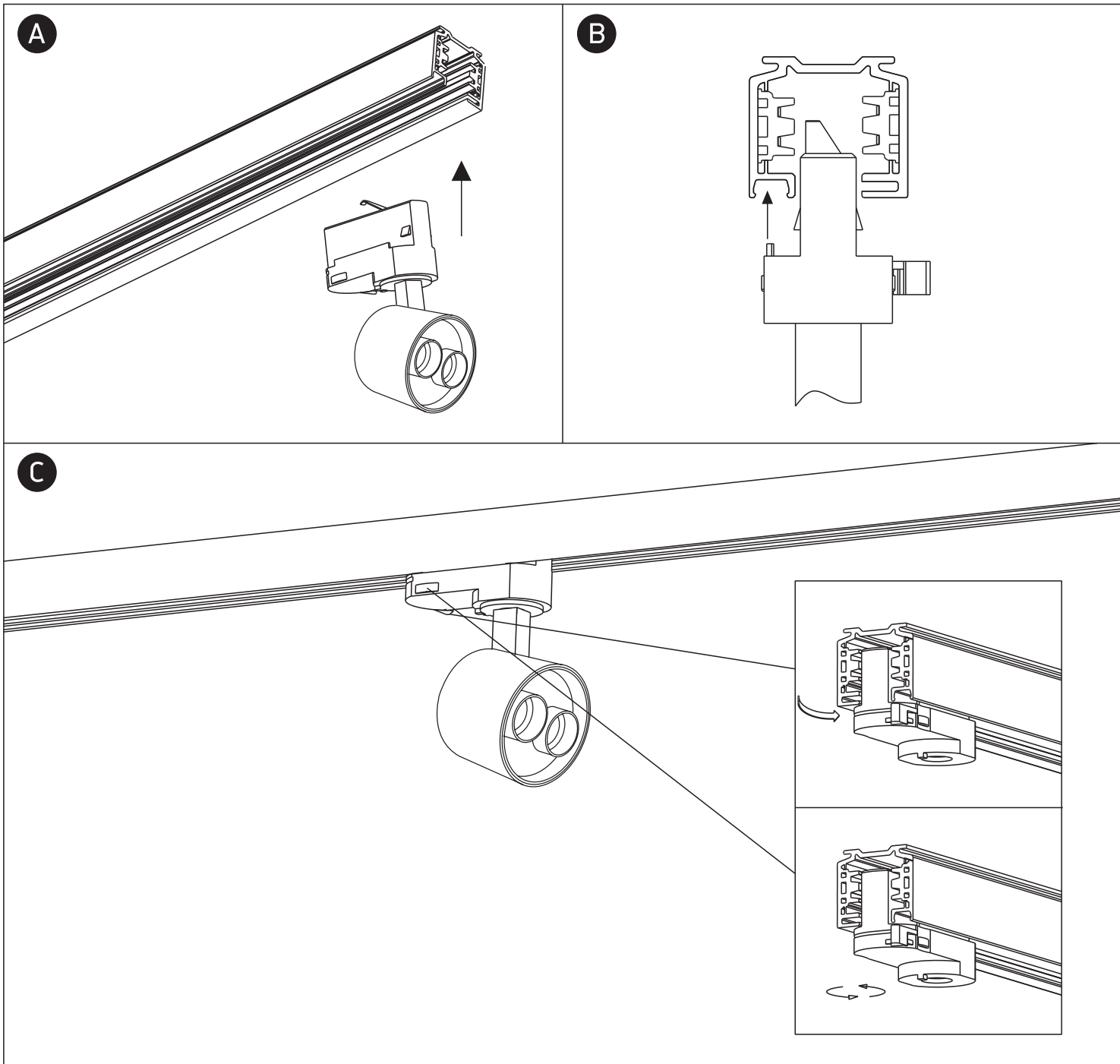
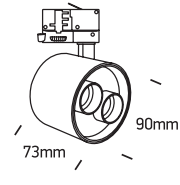


one
LIGHT

230V | SMD 5050 | 12W | IP20 | Aluminium | Adjustable
Complete with 300mA driver.



90
CRI



Warnings:

1. Make sure that the product is installed properly before connecting to electricity.
2. Do not cover the fitting.
3. Maintenance and installation should only be carried out by a professional electrician.