

# INSTALLATION MANUAL

65650T

ecotracksport

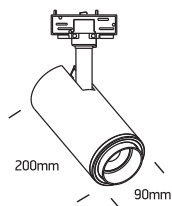


80  
CRI

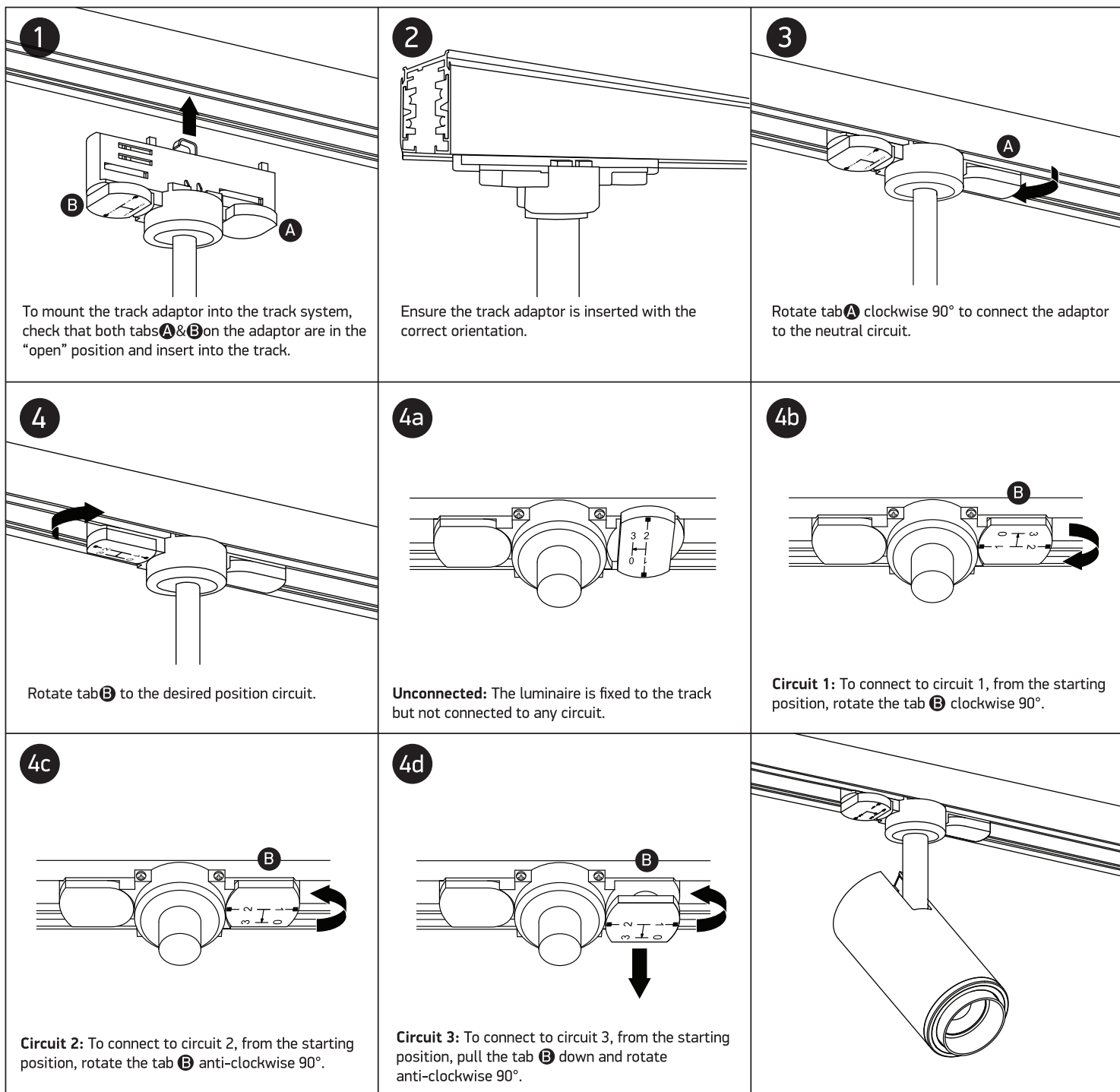


30W | 230V | 50/60Hz | IP20 | Aluminium | Adjustable beam

Complete with driver.



one  
LIGHT



## Warnings:

1. Make sure that the product is installed properly before connecting to electricity.
2. Do not cover the fitting.
3. Maintenance and installation should only be carried out by a professional electrician.