

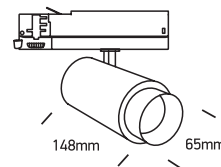
# INSTALLATION MANUAL

## 65650AT

**ecotrackspot**



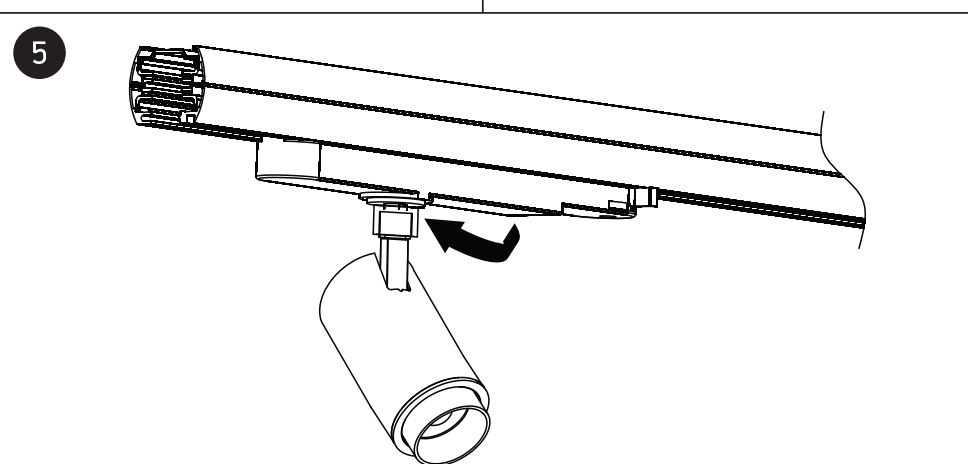
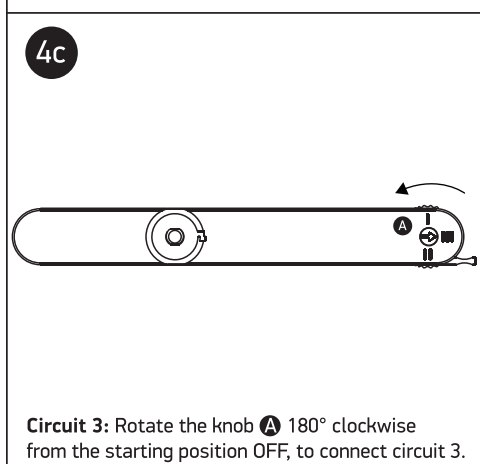
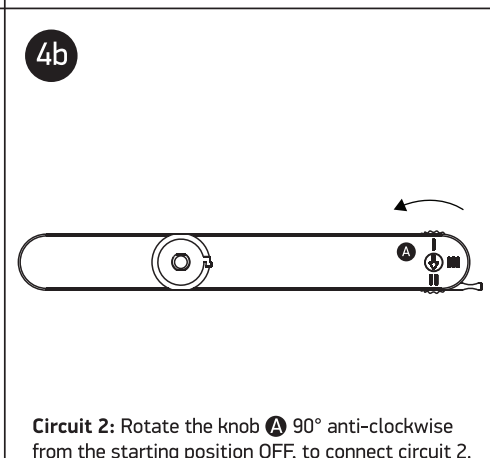
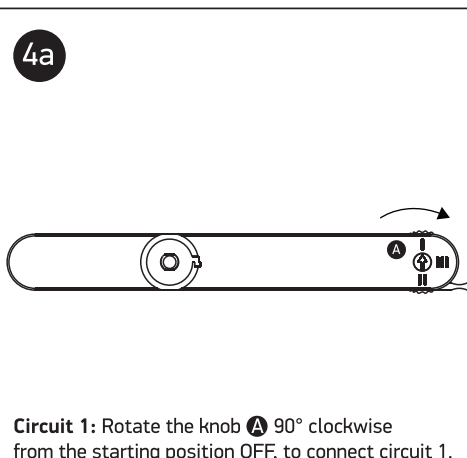
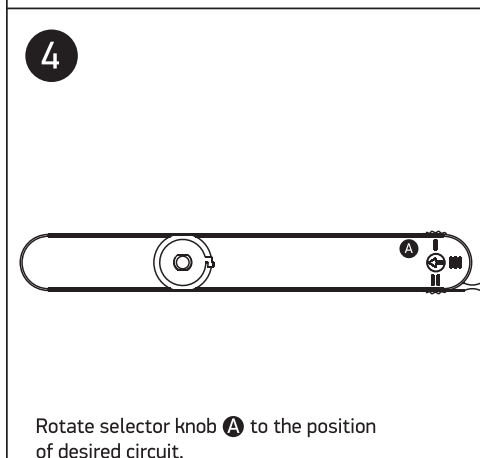
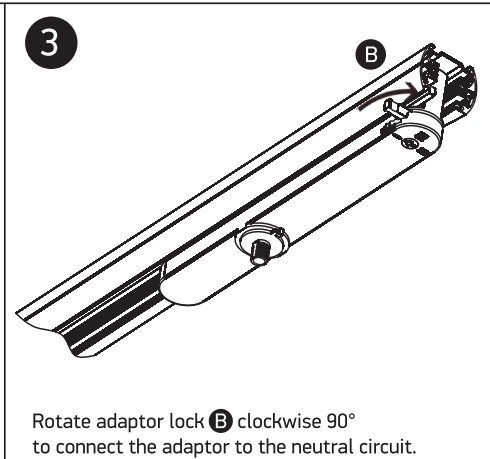
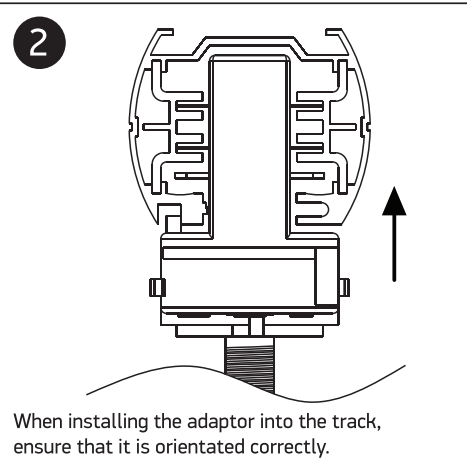
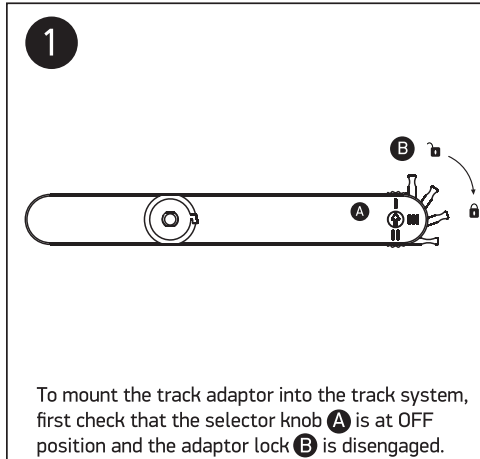
80  
CRI



**one**  
LIGHT

15W | COB LED | 230V | 50/60Hz | IP20 | Aluminium  
Adjustable beam 20°-60°

Complete with 350mA driver.



### Warnings:

1. Make sure that the product is installed properly before connecting to electricity.
2. Do not cover the fitting.
3. Maintenance and installation should only be carried out by a professional electrician.