

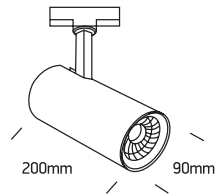
# INSTALLATION MANUAL

65642CT

**ecotrackspot**

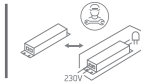


90 CRI



**one**  
LIGHT

30W | COB LED | 230V | 50/60Hz | IP20 | Aluminium | Adjustable  
Complete with 750mA driver.



**1**

To mount the track adaptor into the track system, check that both tabs **A** & **B** on the adaptor are in the "open" position and insert into the track.

**2**

Ensure the track adaptor is inserted with the correct orientation.

**3**

Rotate tab **A** clockwise 90° to connect the adaptor to the neutral circuit.

**4**

Rotate tab **B** to the desired position circuit.

**4a**

**Unconnected:** The luminaire is fixed to the track but not connected to any circuit.

**4b**

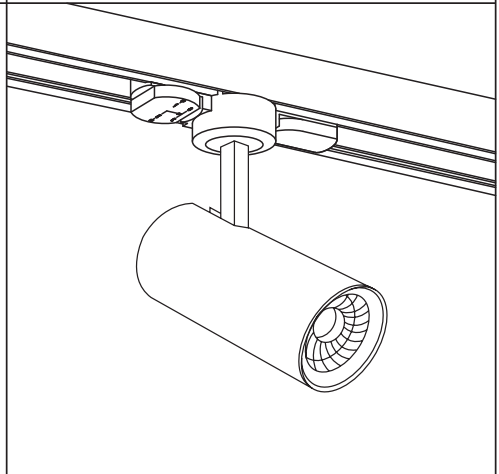
**Circuit 1:** To connect to circuit 1, from the starting position, rotate the tab **B** clockwise 90°.

**4c**

**Circuit 2:** To connect to circuit 2, from the starting position, rotate the tab **B** anti-clockwise 90°.

**4d**

**Circuit 3:** To connect to circuit 3, from the starting position, pull the tab **B** down and rotate anti-clockwise 90°.



## Warnings:

1. Make sure that the product is installed properly before connecting to electricity.
2. Do not cover the fitting.
3. Maintenance and installation should only be carried out by a professional electrician.