

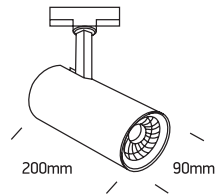
INSTALLATION MANUAL

65642CT

ecotrackspot

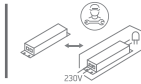


90 CRI



one
LIGHT

30W | COB LED | 230V | 50/60Hz | IP20 | Aluminium | Adjustable
Complete with 750mA driver.



1

To mount the track adaptor into the track system, check that both tabs **A** & **B** on the adaptor are in the "open" position and insert into the track.

2

Ensure the track adaptor is inserted with the correct orientation.

3

Rotate tab **A** clockwise 90° to connect the adaptor to the neutral circuit.

4

Rotate tab **B** to the desired position circuit.

4a

Unconnected: The luminaire is fixed to the track but not connected to any circuit.

4b

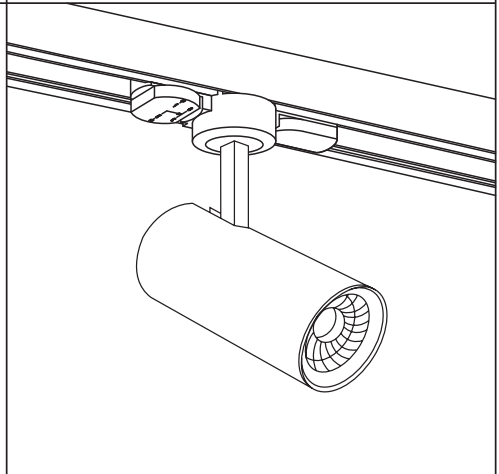
Circuit 1: To connect to circuit 1, from the starting position, rotate the tab **B** clockwise 90°.

4c

Circuit 2: To connect to circuit 2, from the starting position, rotate the tab **B** anti-clockwise 90°.

4d

Circuit 3: To connect to circuit 3, from the starting position, pull the tab **B** down and rotate anti-clockwise 90°.



Warnings:

1. Make sure that the product is installed properly before connecting to electricity.
2. Do not cover the fitting.
3. Maintenance and installation should only be carried out by a professional electrician.