

INSTALLATION MANUAL

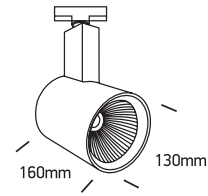
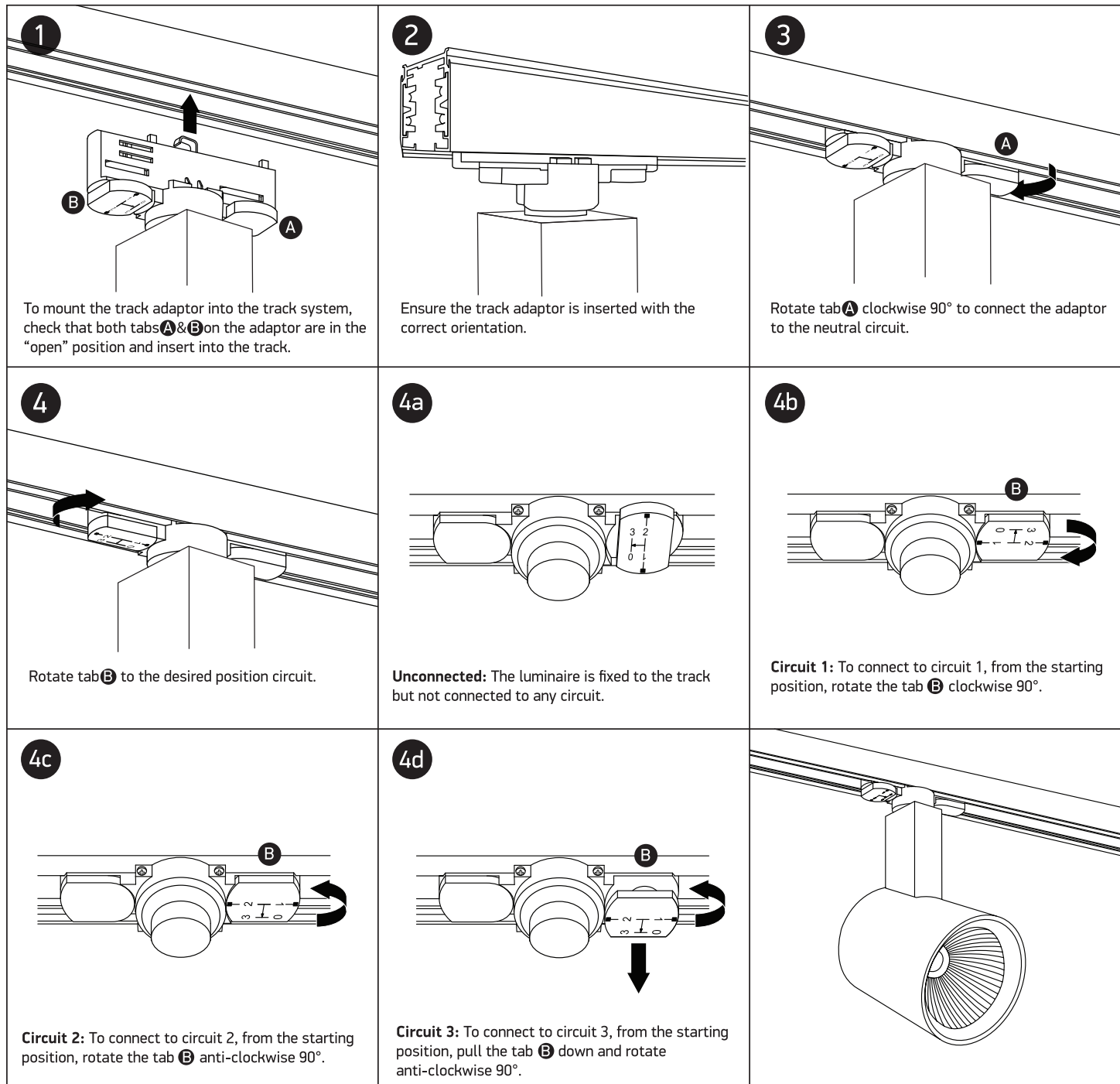
65632CT

ecotrackspot

**80
CRI**

50W | 230V | 50/60Hz | IP20 | Die cast | Adjustable

Complete with driver.


one
LIGHT


Warnings:

1. Make sure that the product is installed properly before connecting to electricity.
2. Do not cover the fitting.
3. Maintenance and installation should only be carried out by a professional electrician.