

# INSTALLATION MANUAL

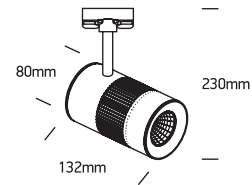
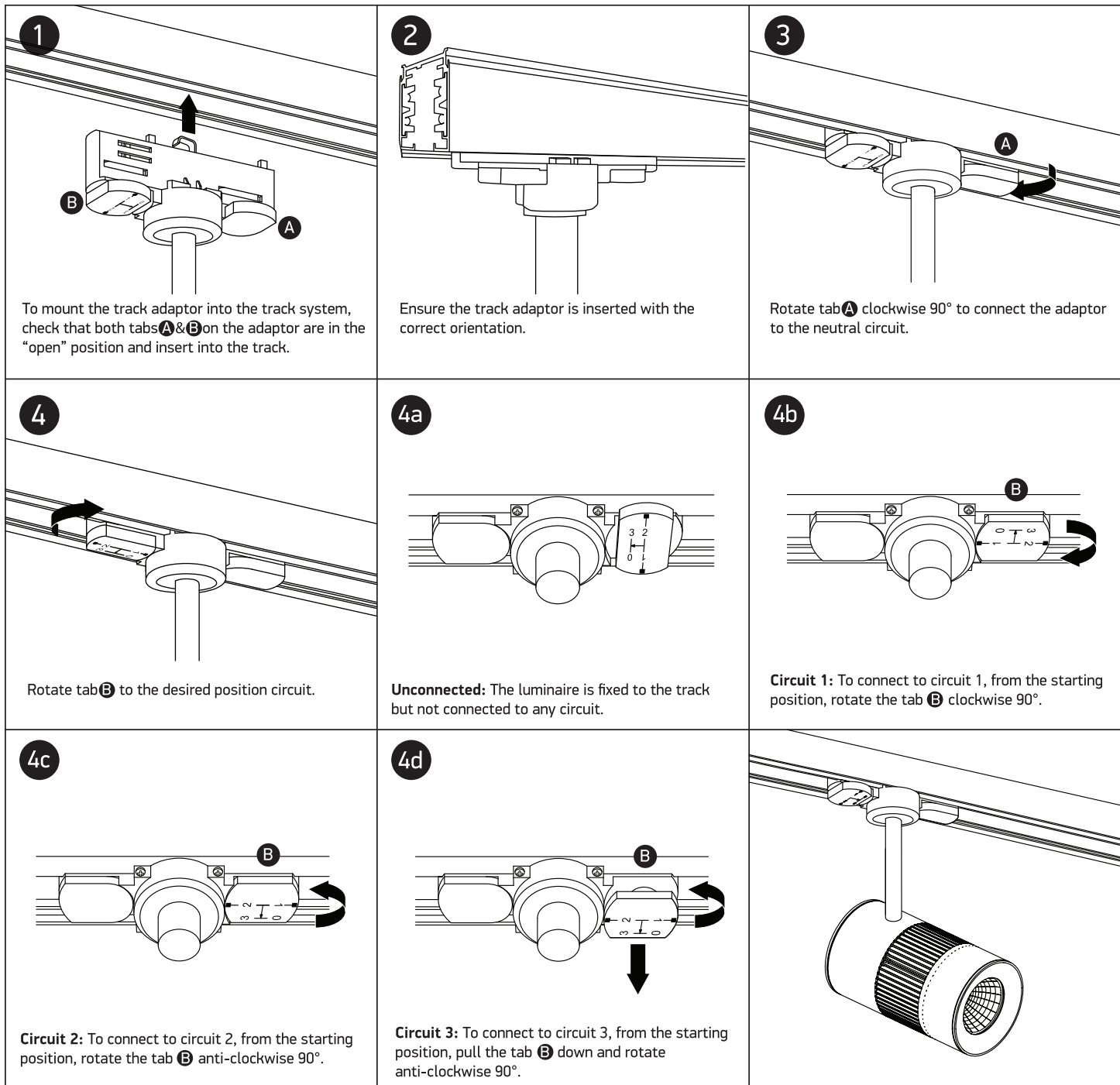
## 65628T

**ecotrackspot**

 Ra > 80  
ADJUSTABLE


15W | 230V | 50/60Hz | IP20 | Aluminium | Adjustable

Complete with driver.


**one**  
LIGHT


### Warnings:

1. Make sure that the product is installed properly before connecting to electricity.
2. Do not cover the fitting.
3. Maintenance and installation should only be carried out by a professional electrician.