

INSTALLATION MANUAL

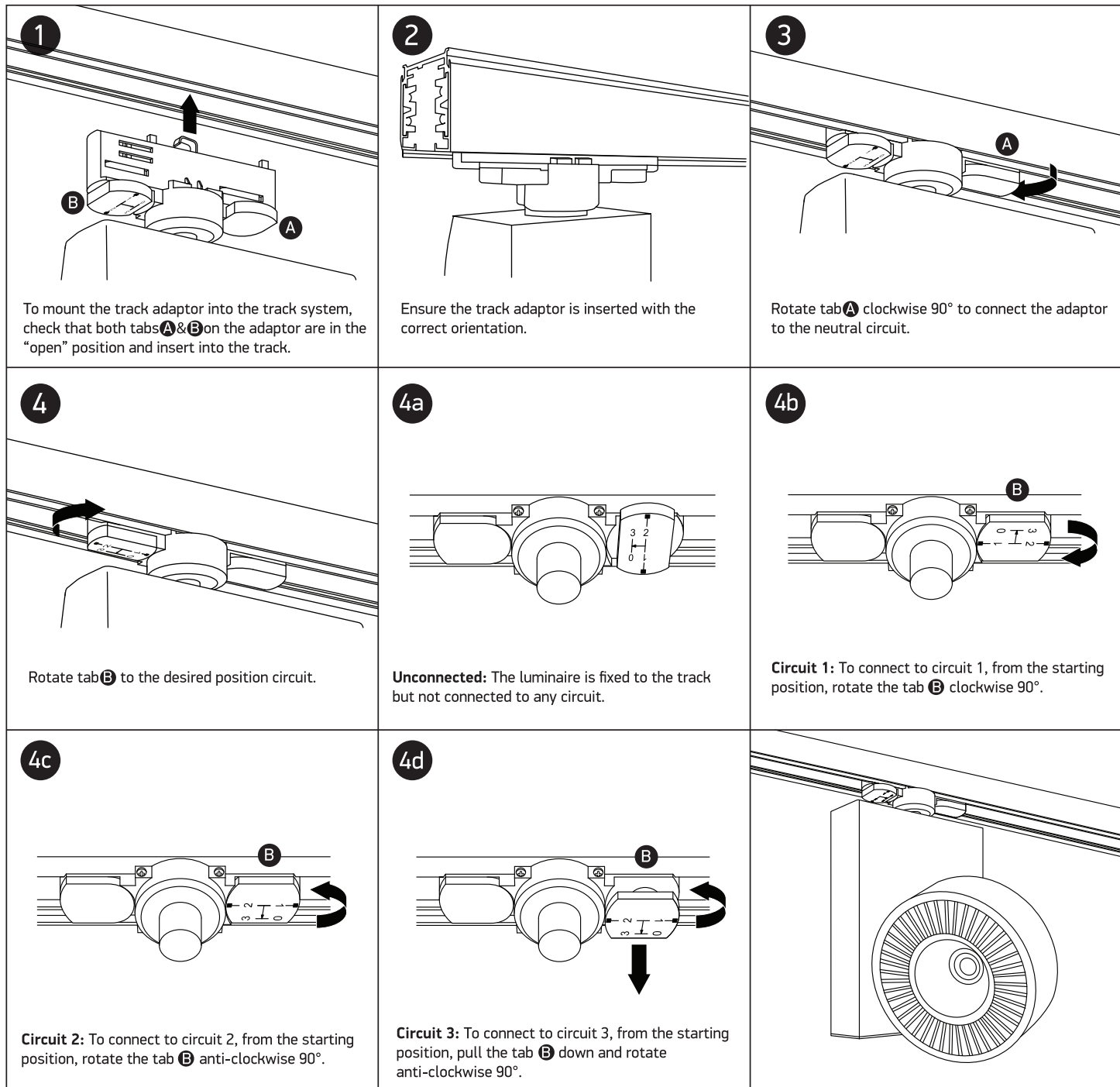
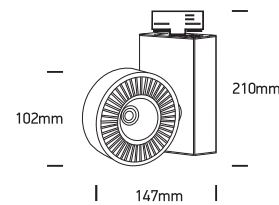
65620T

ecotrackspot



20W | 230V | 50/60Hz | IP20 | Aluminium | Adjustable

Complete with driver.



Warnings:

1. Make sure that the product is installed properly before connecting to electricity.
2. Do not cover the fitting.
3. Maintenance and installation should only be carried out by a professional electrician.