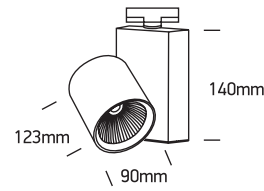


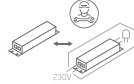
# INSTALLATION MANUAL

## 65612NT

**eco**trackspot

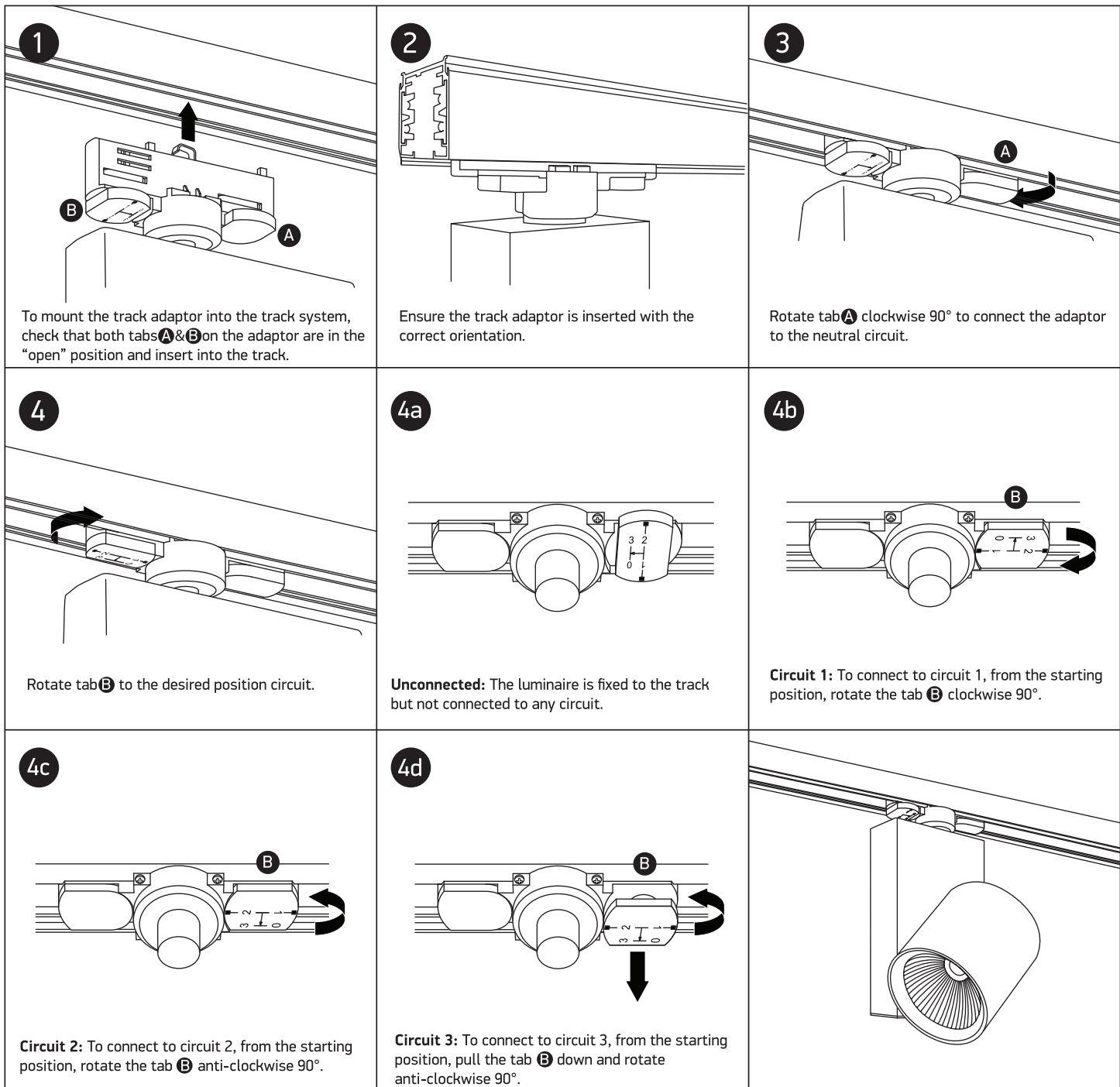


30W | 230V | 50/60Hz | IP20 | Aluminium | Adjustable  
Complete with 750mA driver.



90 CRI

**one**  
LIGHT



### Warnings:

1. Make sure that the product is installed properly before connecting to electricity.
2. Do not cover the fitting.
3. Maintenance and installation should only be carried out by a professional electrician.