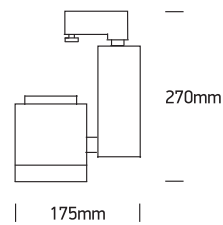


# INSTALLATION MANUAL

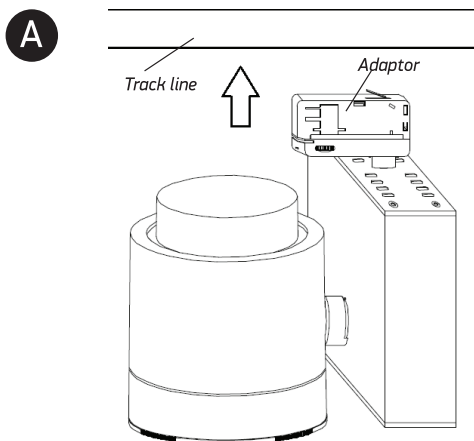
## 65514T



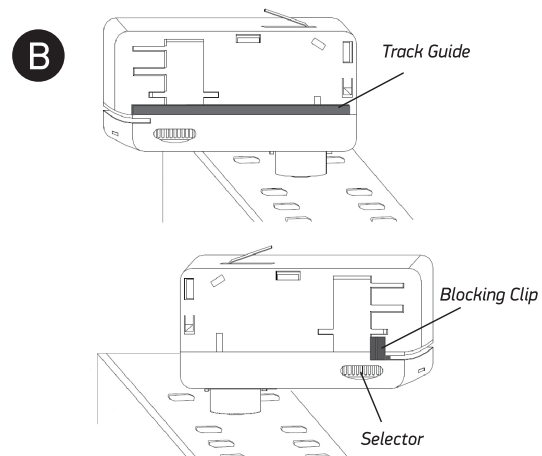
230V/12V | G53 | 75W | IP20 | Die cast  
Complete with transformer



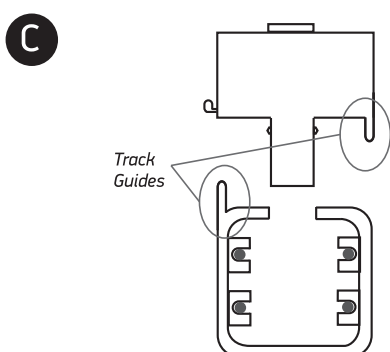
**one**  
LIGHT



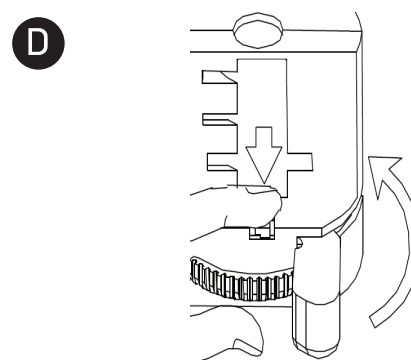
Plug the adaptor of the track light in the track line



Before plugging the adaptor in the track line, make sure that the selector is on position 0 and the blocking clip is out as shown.



When plugging the adaptor in the track line make sure to respect the guide lines on both the adaptor and the track line, unproper connection would cause a short circuit.



Once the adaptor is plugged in, pull the clip in central position as shown. This will safely block the adaptor in the track line.

### Warnings:

1. Make sure that the product is installed properly before connecting to electricity.
2. Do not cover the fitting.
3. Maintenance and installation should only be carried out by a professional electrician.