

INSTALLATION MANUAL

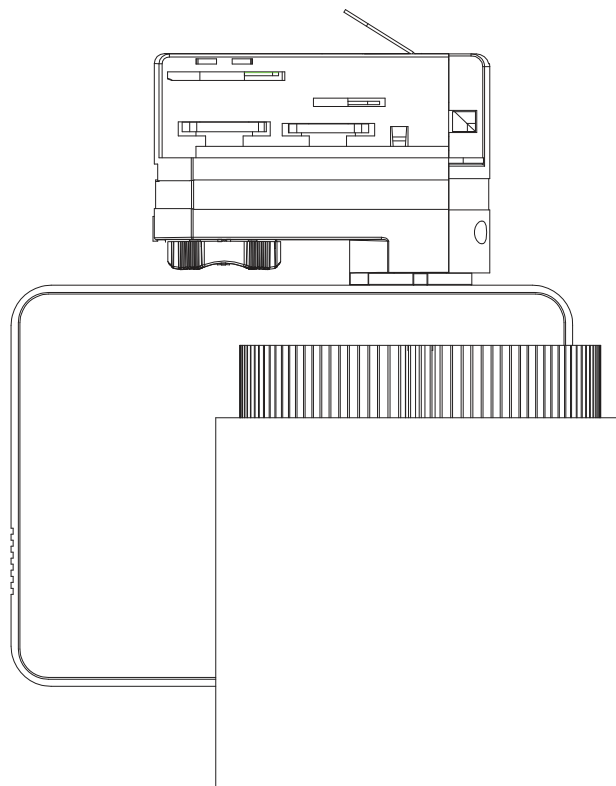
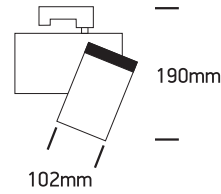
65226T

ecoLED



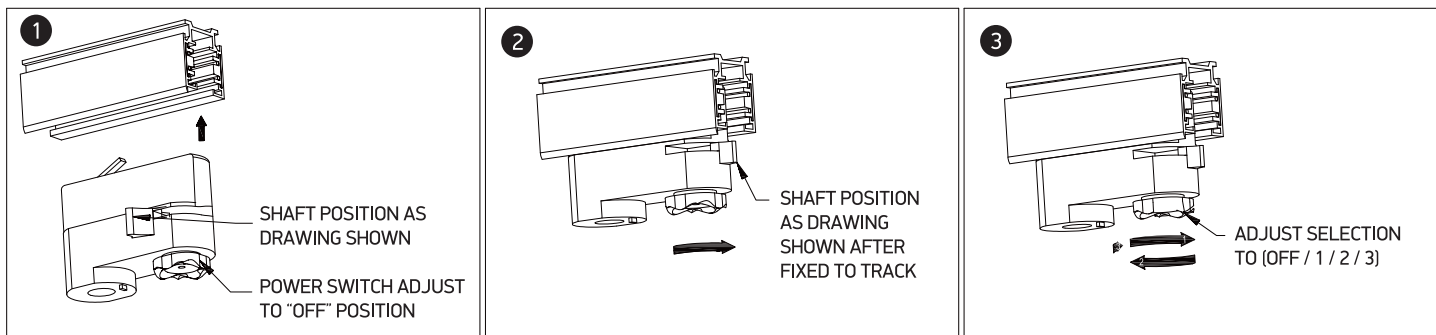
100-240V | 26W | IP20 | Die cast | Adjustable

Complete with LED driver



Optional 65,000 ceiling mount base

ADAPTOR INSTALLATION DIAGRAM



Warnings:

1. Make sure that the product is installed properly before connecting to electricity.
2. Do not cover the fitting.
3. Maintenance and installation should only be carried out by a professional electrician.