

INSTALLATION MANUAL

65172BT

LED
BUILT IN



ADJUSTABLE

UGR19



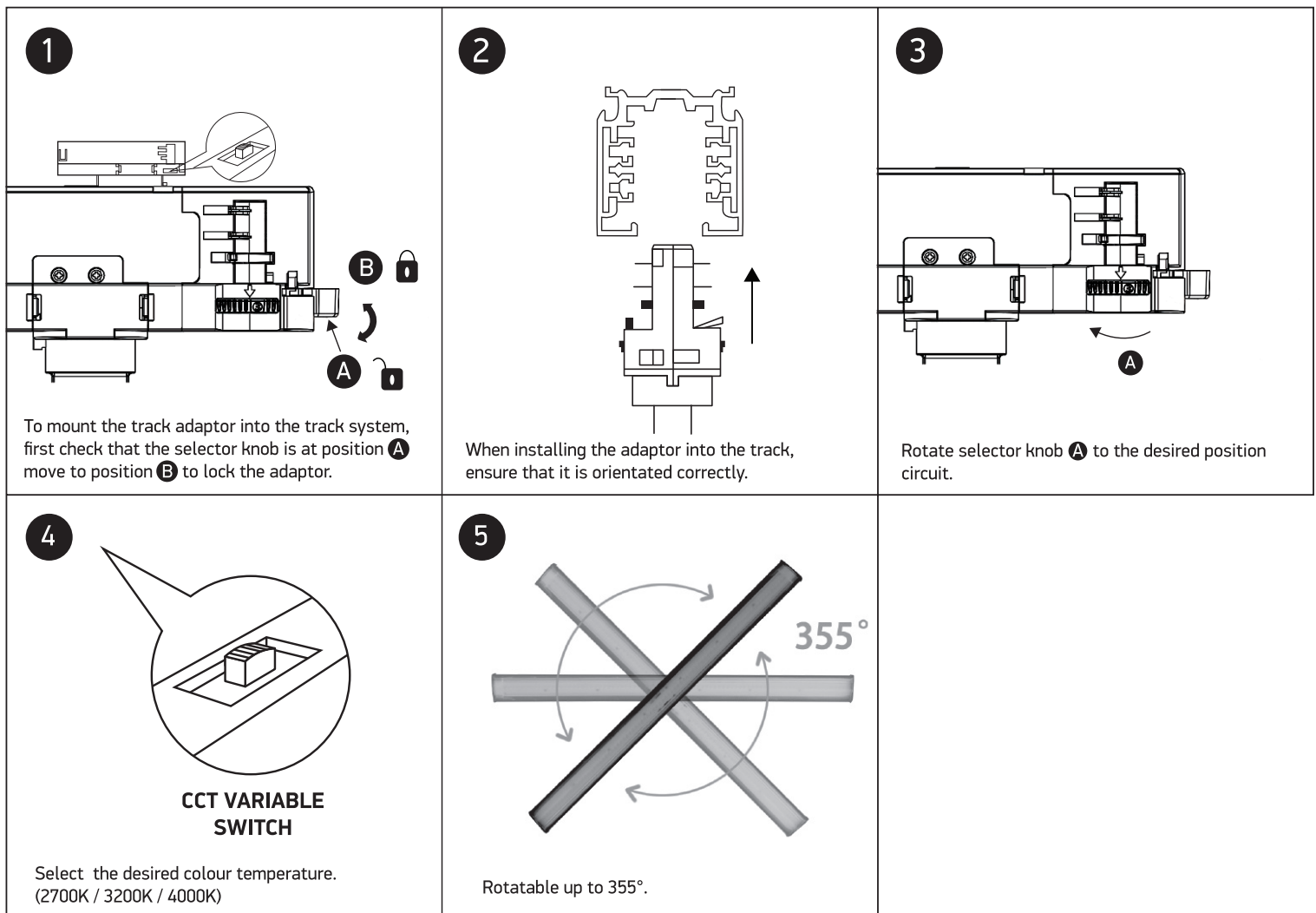
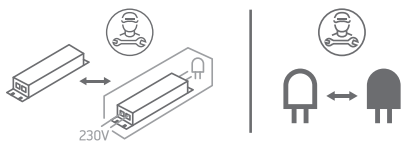
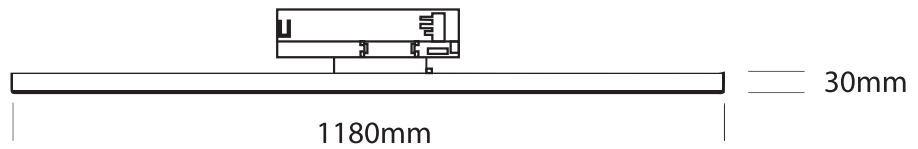
90
CRI



one
LIGHT

40W | LED | 230V | 50/60Hz | IP20 | Aluminium

Complete with 950mA driver.



Warnings:

1. Make sure that the product is installed properly before connecting to electricity.
2. Do not cover the fitting.
3. Maintenance and installation should only be carried out by a professional electrician.